

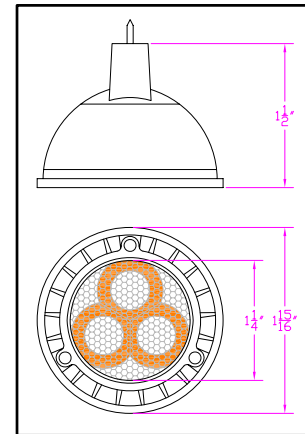
**IES INDOOR REPORT
PHOTOMETRIC FILENAME : LLI01102205.IES**

DESCRIPTION INFORMATION (From Photometric File)

IESNA:LM-63-2002
 [TEST] LLI 0110-2205
 [TESTLAB] LIGHT LABORATORY INC
 [ISSUEDATE] 02/02/2010
 [MANUFAC] ELATION LIGHTING
 [LUMCAT] ASM4272
 [LUMINAIRE] 1-15/16"DIA. X 1-1/2"H. MR16 TYPE LED LAMP
 [MORE] THREE WARM WHITE LEDS
 [LAMPPOSITION] 0,0
 [LAMPCAT] WARM WHITE LED
 [OTHER] INDICATING THE CANDELA VALUES ARE ABSOLUTE AND
 [MORE] SHOULD NOT BE FACTORED FOR DIFFERENT LAMP RATINGS.
 [_INPUT] 12VDC, 3.26W
 [_TEST PROCEDURE] IESNA:LM-79-08

CHARACTERISTICS

Lumens Per Lamp	N.A. (absolute)
Total Lumens	N.A. (absolute)
Luminaire Lumens	131
Total Luminaire Efficiency	N.A.
Luminaire Efficacy Rating (LER)	36
Total Luminaire Watts	3.63
Ballast Factor	1.00
CIE Type	Direct
Spacing Criteria (0-180)	0.40
Spacing Criteria (90-270)	0.40
Spacing Criteria (Diagonal)	0.44
Basic Luminous Shape	Circular
Luminous Length (0-180)	0.00 ft
Luminous Width (90-270)	0.10 ft (Diameter)
Luminous Height	0.00 ft



LUMINANCE DATA (cd/sq.m)

Angle In Degrees	Average 0-Deg	Average 45-Deg	Average 90-Deg
45	17903	17903	17903
55	22071	22071	22071
65	23963	23963	23963
75	19565	19565	19565
85	14525	14525	14525

IES INDOOR REPORT
PHOTOMETRIC FILENAME : LLI01102205.IES

CANDELA TABULATION

	<u>0</u>
0.0	428
1.0	423
3.0	401
5.0	366
7.0	322
9.0	275
11.0	229
13.0	187
15.0	150
17.0	118
19.5	84
22.5	54
25.5	36
29.0	24
33.0	17
37.5	12
42.5	10
47.5	10
55.0	10
65.0	8
75.0	4
85.0	1
90.0	0

IES INDOOR REPORT
PHOTOMETRIC FILENAME : LLI01102205.IES

ZONAL LUMEN SUMMARY

Zone	Lumens	%Lamp	%Fixt
0-30	90.64	N.A.	69.1
0-40	99.4	N.A.	75.7
0-60	113.56	N.A.	86.5
0-90	131.25	N.A.	100
90-120	0	N.A.	0
90-130	0	N.A.	0
90-150	0	N.A.	0
90-180	0	N.A.	0
0-180	131.25	N.A.	100

Total Luminaire Efficiency = N.A.%

ZONAL LUMEN SUMMARY

Zone	Lumens
0-10	26.42
10-20	44.79
20-30	19.43
30-40	8.76
40-50	7.75
50-60	6.41
60-70	8.54
70-80	6.18
80-90	2.97
90-100	0
100-110	0
110-120	0
120-130	0
130-140	0
140-150	0
150-160	0
160-170	0
170-180	0

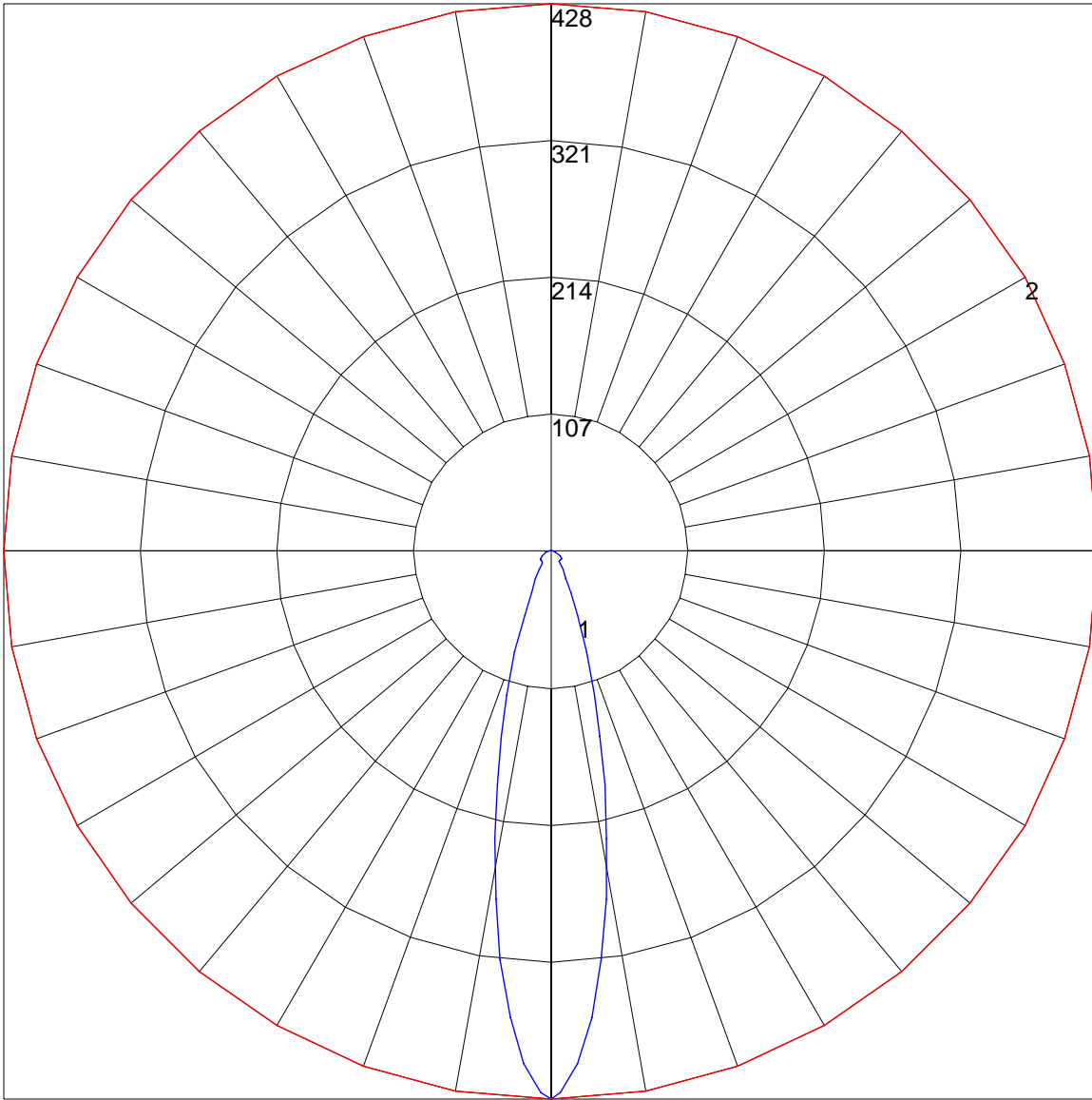
IES INDOOR REPORT
PHOTOMETRIC FILENAME : LLI01102205.IES

COEFFICIENTS OF UTILIZATION - ZONAL CAVITY METHOD

Effective Floor Cavity Reflectance 0.20

RC	80				70				50			30			10			0	
	RW	70	50	30	10	70	50	30	10	50	30	10	50	30	10	50	30	10	0
0	119	119	119	119	119	116	116	116	116	111	111	111	107	107	107	102	102	102	100
1	112	108	105	102	109	106	103	100	102	99	97	98	96	94	94	93	92	90	90
2	105	99	94	90	103	97	93	89	94	90	87	91	88	85	88	86	83	82	82
3	99	92	86	82	97	91	85	81	88	83	80	85	82	78	83	80	77	75	75
4	95	86	80	75	93	85	79	75	83	78	74	81	76	73	79	75	72	70	70
5	90	81	75	70	88	80	74	70	78	73	69	77	72	68	75	71	68	66	66
6	86	77	70	66	85	76	70	66	74	69	65	73	68	65	72	68	64	63	63
7	83	73	67	63	81	72	66	62	71	66	62	70	65	62	69	64	61	60	60
8	79	70	64	60	78	69	63	59	68	63	59	67	62	59	66	62	59	57	57
9	76	67	61	57	75	66	61	57	65	60	57	64	60	56	64	59	56	55	55
10	74	64	58	55	73	64	58	55	63	58	54	62	57	54	61	57	54	53	53

POLAR GRAPH



Maximum Candela = 428 Located At Horizontal Angle = 0, Vertical Angle = 0
1 - Vertical Plane Through Horizontal Angles (0 - 180) (Through Max. Cd.)
2 - Horizontal Cone Through Vertical Angle (0) (Through Max. Cd.)

LIGHT LABORATORY, INC.

8165 E Kaiser Blvd. Anaheim, CA 92808

SHT 1 OF 1

Test #: LLI0110-2205

Date: 02/02/2010

Luminaire Photometric Performance LM-79-2008

Manufacturer:	ELATION LIGHTING
Model Number:	ASM 4272

Total Lumens:	131.25
Input Power (W):	3.63
Input Current (Amp):	0.30
Input Power Factor:	1.0
Efficacy:	36.16
Color Rendering Index (CRI):	86.3
Correlated Color Temperature (CCT):	2687
Chromaticity Ordinate x:	0.461
Chromaticity Ordinate y:	0.411

*Test data documentation on file and available upon request.

*All results in accordance to IESNA LM-79-2008: Approved Method for the Electrical and Photometric Testing of Solid-State Lighting.

REV.	LOG NUMBER	REVISION DESCRIPTION	REVISION BY	CHECKED BY	APPROVED BY	DATE
A					JS	02/02/10