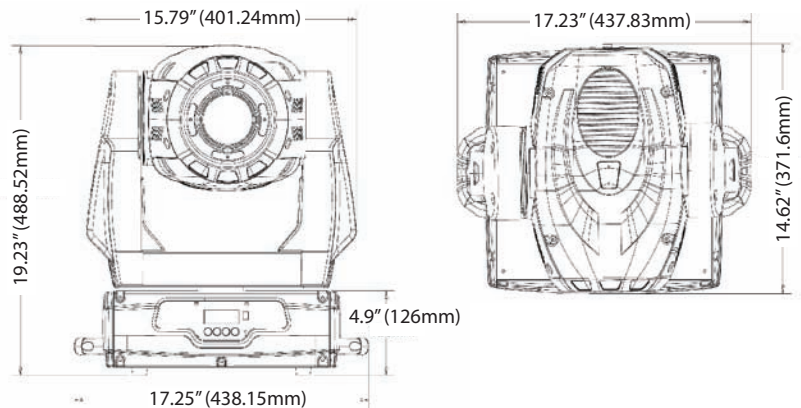


Design Spot 250 / Design Spot 250 WH



Available in white or black

Design Spot 250 Dimensions

The Design Spot 250 by Elation Professional is an intelligent moving head hybrid (spot and wash in one) featuring continuous, variable speed color scrolling in both directions using 8 dichroic filters (7 color, UV + white), gobo overlay using 2 gobo wheels with 14 gobos total, 7 fixed and 7 rotating / indexing. Additional features include a variable iris, 3 facet rotating prism, frost and mechanical dimmer/shutter. This unit uses a Philips MSD 250/2 250W lamp providing up to 3,000 hours estimated lamp life. Control is via 3 pin DMX data first in and out cables. The Design Spot 250 is designed to run in 3 operation modes: DMX controlled via 16 channels, stand alone or sound active mode. The unit comes fitted standard with 17° lens kit and also includes optional 14° and 20° lens kits. The unit is rated IP 20 and is designed for indoor use only. Rigging for this unit includes 2 x 1/4 turn omega clamps, safety cable and 3 pin data cable are included.

FEATURES

- 250W moving head hybrid
- 8 Dichroic filters, 7 color, UV + White
- 2 gobo wheels, 14 total gobos, 11 metal, 3 glass
- Variable Frost Control
- Hard edge to soft edge
- 3-facet rotating/Indexing Prism
- Both directions at variable speeds
- Macro-function for rotating gobos/rotating prism combinations
- Automatic Pan / Tilt position correction
- Maximum PAN-movement 630° in 2.0 secs (default) or 540° (user selectable) / 16 bit
- Maximum TILT-movement 265° in 1.5 secs / 16 bit
- Pre-set variable/random strobe and dimming pulse effect
- Dual flag mechanical dimming system
- Motor driven focus from near to far
- Beam Angle 14°, 17° (default) or 20°
- Replaceable 20° beam angle included
- All lenses are anti-reflection coated
- Sound active mode, vector mode with blackout
- DMX control via 16 channels
- 4 Digit L.E.D. Display
- On board menu settings



TECHNICAL SPECIFICATIONS

- **DMX Channels:** 16 DMX Channels, RDMX - Remote DMX Addressing
- **Control:** USITT DMX-512 (16-bit resolution), 3 pin XLR serial input/output
- **Dimmer:** Dual Flag mechanical dimming system
- **Strobe:** Variable speed strobe effect (1-13) Flashes per second
- **IP Rating:** IP 20
- **Iris:** Beam narrow to wide (5% - 100%), variable speed iris macros
- **Power supply:** AC 98, 120, 220, 208, 230, 240V 50/60Hz
- **Power consumption:** 400W nominal
- **Fuse:** 8A (250V), Magnetic Ballast
- **Lamp:** Phillips MSD 250/2
- **Lamp Life:** 250W, 8500°K, 3000 HRS
- **Dimensions:** (LxWxH) 14"x 14"x 22.5" / 355.6mm x 355.6mm x 571.5mm
- **Weight:** 51 lbs. / 23.13 kg
- **Rigging:** 2 x 1/4 turn omega clamps
1 x safety cable
1 x 3 pin data cable



Design Spot 250 / Design Spot 250 WH

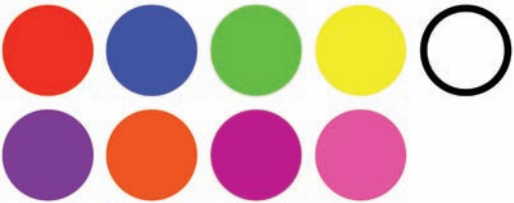


COLORS / GOBOS

- 8 Dichroic filters, 7 color, UV + White
- Continuous, variable speed, color scrolling in both directions (rainbow effect)
- More color combinations possible by overlaying the multi-color dichroic gobo and the colors on the color wheel
- 2 gobo wheels, 14 total gobos, 11 metal, 3 glass
- 7 interchangeable, indexable, rotating gobos plus open
- 7 interchangeable, static gobos plus open
- 26.9mm outside diameter, 23mm image diameter
- Gobo Overlay (Gobo Morphing)

COLORS:

8 dichroic filters, 7 color, UV + white



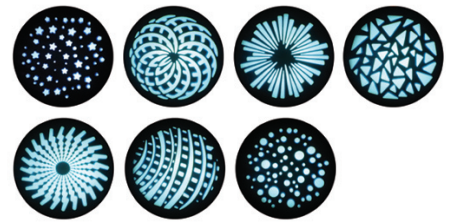
GOBO WHEEL 1

Rotating Gobo Wheel



GOBO WHEEL 2

Convenient Slot-Lock gobo replacement system

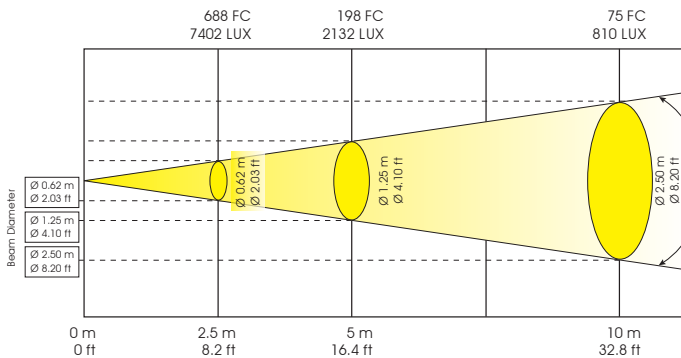


PHOTOMETRICS

Design Spot 250 Photometric Beam Angle Data

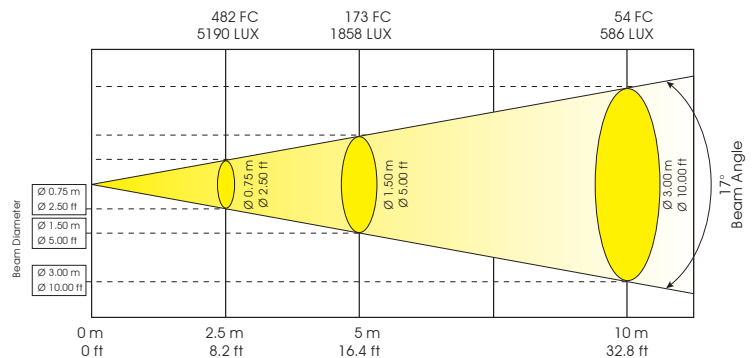
Standard Beam Angle 14°

LUX x 0.0929 = FC



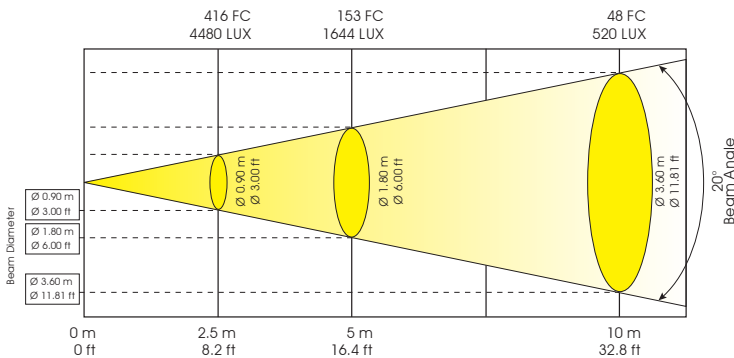
Standard Beam Angle 17°

LUX x 0.0929 = FC



Optional Beam Angle 20°

LUX x 0.0929 = FC



Replaceable 20° beam angle (Included)

Design Spot 250 / Design Spot 250 WH



DMX TRAITS

- Channel 1 - PAN movement 8bit
- Channel 2 - Pan fine 16bit
- Channel 3 - TILT movement 8bit
- Channel 4- Tilt fine 16bit
- Channel 5 - Color wheel
- Channel 6 - Rotating gobos, cont. rotation
- Channel 7 - Rotating gobo index, rotating gobo rotation
- Channel 8 - Fixed gobos
- Channel 9 - 3 facet rotating prism, prism / gobo macros
- Channel 10 - Focus
- Channel 11 - Shutter, strobe
- Channel 12 - Dimmer (intensity)
- Channel 13 - Iris
- Channel 14 - Frost
- Channel 15 - Speed pan/tilt movement
- Channel 16 - Lamp on/off, reset, internal programs

Product Order Code	Description
Design Spot 250	Black case color Design Spot 250
Design Spot 250 WH	White case color Design Spot 250
Accessories Order Code	Description
DRC 250 DS	Road case for 2 x Design Spot 250