



PALADIN™



PALADIN™ is an IP65 rated strobe wash blinder luminaire with motorized zoom. Featuring (24) high power 40W 4-in-1 RGBW LEDs, 6° to 32° motorized zoom, 210° manual tilt adjustment, variable pixel zone control, 64 color presets and 15 unique color macros, electronic strobe, 16-bit variable dimming curve modes, DMX and RDM (Remote Device Management) protocol support, IP rated 5pin DMX and powerCON TRUE1 in/out connections, (4) button LCD control display panel, and a multi-voltage universal auto switching power supply (100-240v). Optional barn doors and egg crate available.

FEATURES

- IP65 Strobe Wash Blinder Luminaire**
- 24x 40W 4-in-1 RGBW LEDs**
- Motorized 6° to 32° Zoom and 210° Manual Tilt**
- Variable Pixel Zone Control**
- 64 Color Presets and 15 Unique Program Macros**
- Electronic Strobe and Variable Dimming Curve Modes**
- Adjustable Refresh Rate Frequency and GAMMA**
- Flicker Free Operation for TV and FILM**
- Rugged Die-Cast Aluminum Exterior**
- Dual Quick-Lock Omega Brackets Included**
- Optional Barn Doors and Egg Crate Available**

Specifications are subject to change without notice ©Elation Professional 02/13/18

Elation Professional USA | 6122 S. Eastern Ave. | Los Angeles, CA. 90040
323-582-3322 | 323-832-9142 fax | www.elationlighting.com | info@elationlighting.com

Elation Professional B.V. | Junostraat 2 | 6468 EW Kerkrade, The Netherlands
+31 45 546 85 66 | +31 45 546 85 96 fax | www.elationlighting.eu | info@elationlighting.eu



ELATION | PALADIN™ | Product Specification Sheet

PRODUCT SPECIFICATIONS

SOURCE

(24) 40W 4-in-1 RGBW LEDs
50,000 Hour Average LED Life*

*May vary depending on several factors including but not limited to: Environmental Conditions, Power/Voltage, Usage Patterns (On-Off Cycling), Control and Dimming.

PHOTOMETRIC DATA

79,252 LUX 7,362 FC @9.8' (2m) (6° Full ON)
6,848 LUX 636 FC @9.8' (2m) (32° Full ON)

COLOR

RGBW

EFFECTS

Variable Pixel Zone Control
64 Color Presets and 15 Color Macros
High Speed Electronic Strobe
16-bit Variable Dimming Curve Modes

CONTROL / CONNECTIONS

Motorized 9° to 25° Zoom
Manual 210° Tilt Movement
(3) DMX Channel Modes (33 total channels)
Adjustable Refresh Rate (900-1500, 25,000 Hz)
Adjustable Gamma Brightness (2.0, 2.2, 2.4, 2.8)
4 Button Control Panel and LCD Menu Display
RDM (Remote Device Management)
5pin DMX In/Out
powerCON TRUE1 Power In/Out

SIZE / WEIGHT

Length: 18.8" (478mm)
Width: 9.2" (233mm)
Vertical Height: 16.0" (407.5mm)
Weight: 46.0 lbs. (20.9 kg)

ELECTRICAL / THERMAL

AC 110-240V - 50/60Hz
990W Max Power Consumption
5°F to 113°F (-15°C to 45°C)

APPROVALS / RATINGS



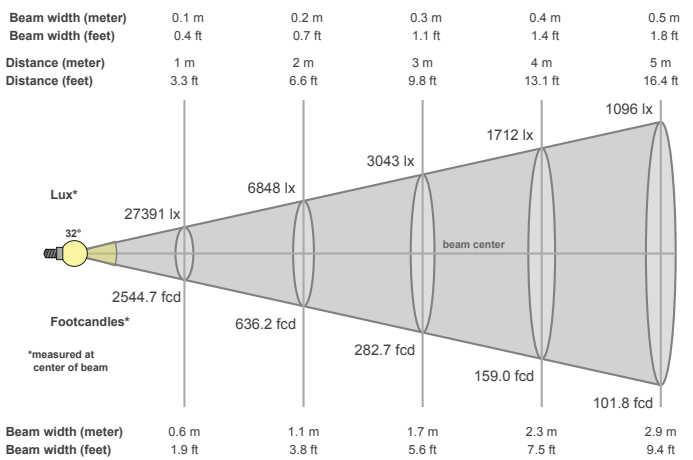
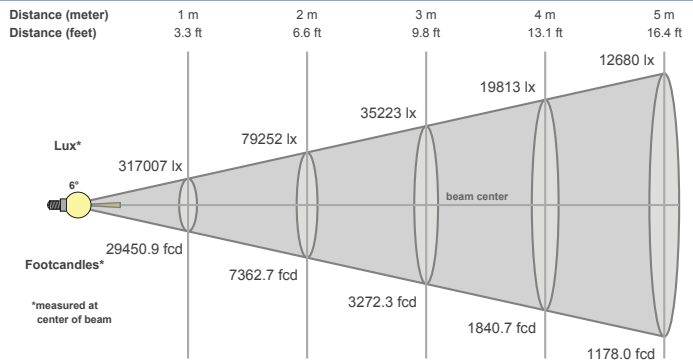
INCLUDED ITEMS

(2) Omega Brackets
Safety Cable
powerCON TRUE1 Power Cable

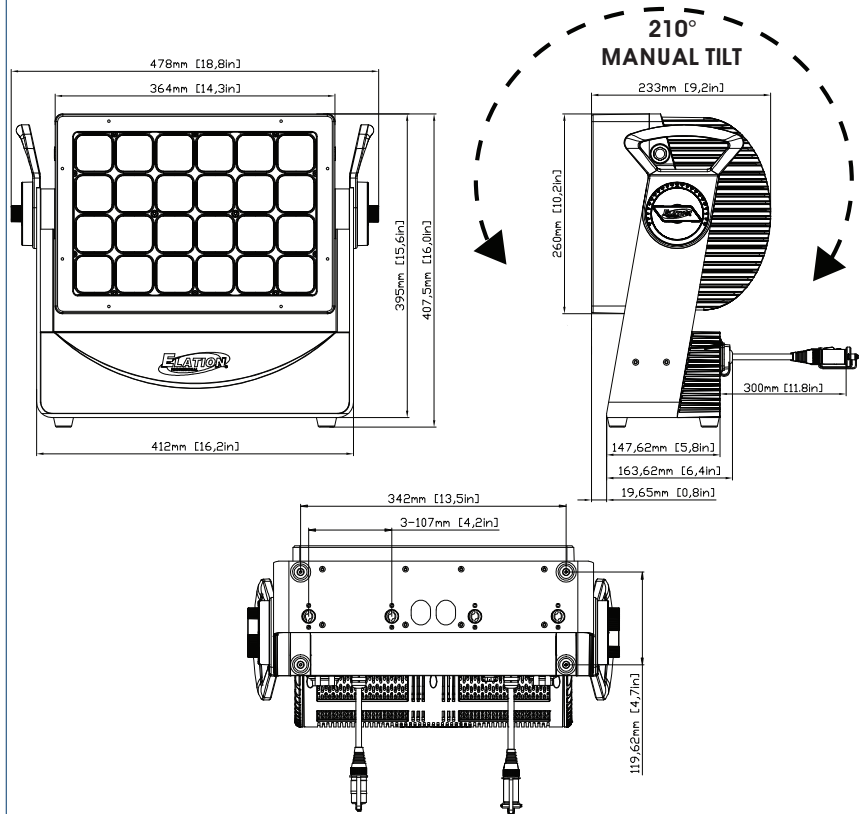
ORDERING INFORMATION

ORDER CODE	ITEM
PAL001	PALADIN
DRCPALADIN	Quad Road Case for Paladin
PAL120	Paladin Barn Door
PAL540	Paladin Egg Crate
PRO CLAMP	Heavy Duty 2 inch Pro Clamp
NEU088	3' (1m) powerCON TRUE1 Power Link Cable
	Additional cable lengths available

PHOTOMETRIC DATA



DIMENSIONAL DRAWINGS



Specifications are subject to change without notice ©Elation Professional 02/13/18

Elation Professional USA | 6122 S. Eastern Ave. | Los Angeles, CA. 90040
323-582-3322 | 323-832-9142 fax | www.elationlighting.com | info@elationlighting.com

Elation Professional B.V. | Junostraat 2 | 6468 EW Kerkrade, The Netherlands
+31 45 546 85 66 | +31 45 546 85 96 fax | www.elationlighting.eu | info@elationlighting.eu