

DARTZ 360



The DARTZ 360™ is a unique, compact, narrow beam/spot luminaire featuring a new patent pending single source 50W RGB LED engine producing an impressive 3° aperture, amazing high output level, and smooth color-mixed effects that can be used in a variety of applications requiring no minimum safe project distance as with typical discharge lamp beam fixtures, fast and precise 16-bit continuous 360° pan and tilt rotation, 14 static-stamped metal gobos, 6-facet linear and 8-facet independent rotating prisms, 0-100% linear frost filter for wash effects, high speed electronic shutter and strobe, electronic dimming and variable dimming curve modes, adjustable LED refresh rate and gamma brightness for flicker free operation for TV and FILM, DMX, RDM (Remote Device Management), Kling-Net, Art-NET, and sACN protocol support, Elation's E-FLY™ internal wireless DMX transceiver, 5pin XLR, RJ45 etherCON, and powerCON TRUE1 in/out connections, full color 180° reversible menu display with multi-button control panel, battery backup for display power, and a multi-voltage universal auto switching power supply (100-240v).

FEATURES

- Compact Precise 360° Pan/Tilt Moving Beam/Spot Luminaire**
- Patent Pending Single Source 50W RGB LED Engine**
- No Minimum Safe Project Distance Like Discharge Fixtures**
- 3° Sharp Aperture with Motorized Focus**
- Fast and Precise 16-Bit Continuous 360° Pan/Tilt Rotation**
- 14 Static-Stamped Metal Gobos**
- 6 Linear and 8 Facet Independent Rotating Prisms**
- 0-100% Linear Frost Filter for Wash Effects**
- High Speed Electronic Shutter and Strobe**
- Electronic Dimming and Variable Dimming Curve Modes**
- DMX, RDM, Kling-Net, Art-NET, and sACN Protocol Support**
- Elation's E-FLY™ Internal Wireless DMX Transceiver**
- Adjustable Refresh Rate Frequency and Gamma Brightness**
- Flicker Free Operation for TV and FILM**



PRODUCT SPECIFICATIONS

SOURCE

50W RGB LED Engine

50,000 Hour Average LED Life*

*LED Life may vary depending on several factors including but not limited to: Environmental Conditions, Power/Voltage, Usage Patterns (On-Off Cycling), Control and Dimming.

PHOTOMETRIC DATA

29,562 LUX 2,746 FC @16.4' (5m) (3° Full ON)

EFFECTS

Motorized Focus

6 and 8 Facet Independent Rotating Prisms

0-100% Linear Frost Filter for Wash Effects

High Speed Electronic Shutter and Strobe

16-Bit Variable Dimming Curve Modes

Adjustable LED Refresh Rate and Gamma Brightness

COLOR

RGB Smooth Color Mixing

GOBOS

14 Static-Stamped Metal Gobos

CONTROL / CONNECTIONS

(3) DMX Channel Modes (19 / 22 / 25)

360° Continuous Pan and Tilt 8 / 16 Bit Movement

Adjustable Refresh Rate (900-25,000 (Hz)

Adjustable Gamma Brightness (2.0, 2.2, 2.4, 2.8)

6 Button Menu Control Panel

Full Color 180° Reversible LCD Menu Display

DMX, RDM, Kling-net, Art-NET and sACN Protocol Support

Elation E-FLY™ Internal Wireless DMX Transceiver

5pin DMX, RJ45 Ethernet In/Out

powerCON TRUE1 Power In/Out

SIZE / WEIGHT

Length: 11.2" (284.15mm)

Width: 7.7" (195.97mm)

Vertical Height: 17.9" (454.7mm)

Weight: 28.0 lbs. (12.7 kg)

ELECTRICAL / THERMAL

AC 100-240V - 50/60Hz

154W Max Power Consumption

14°F to 113°F (-10°C to 45°C)

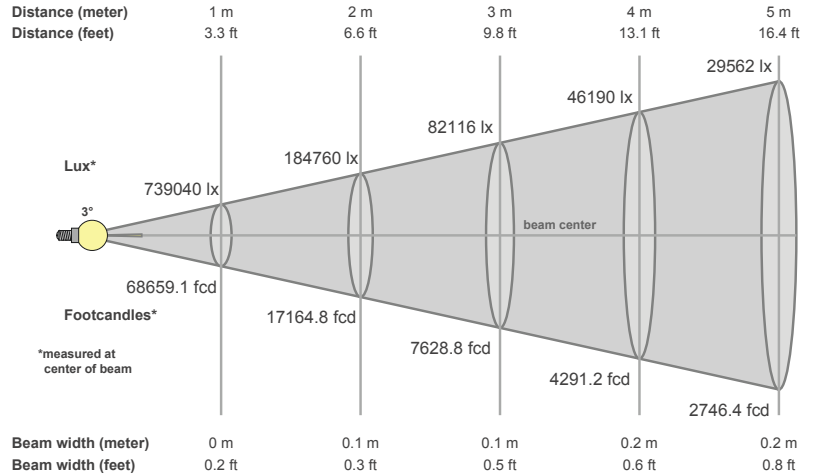
APPROVALS / RATINGS



ORDERING INFORMATION

DAR880	DARTZ 360™
QUIK RIG CLAMP	Heavy Duty Low Profile Hook Style Clamp
*** PENDING ***	Road Case For DARTZ 360
EFL001	E-FLY™ Wireless DMX Transceiver
AC5PDMX5PRO	5 ft. (1.5m) 5pin PRO DMX Cable
CAT6PRO5	5 ft. (1.5m) CAT6 EtherCON Cable
NEU088	3 ft. (1m) powerCON TRUE1 Power Link Cable
	Additional cable lengths available

PHOTOMETRIC DATA

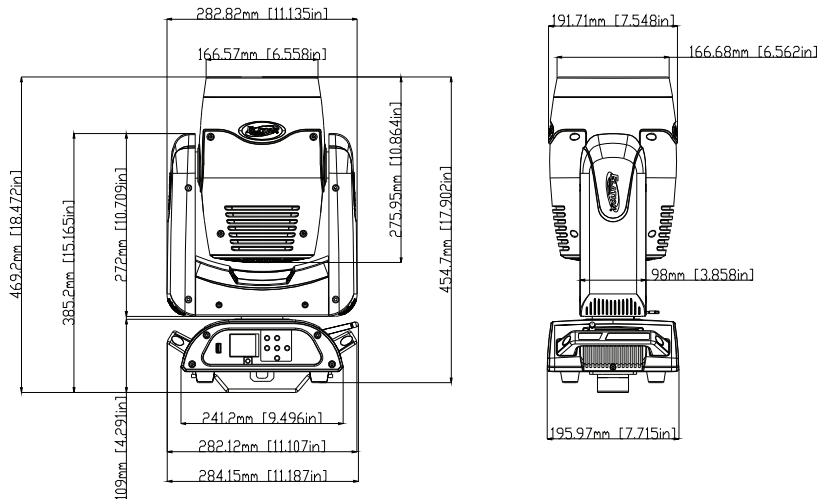


GOBOS

STATIC-STAMPED GOBO WHEEL



DIMENSIONAL DIAGRAMS



Specifications are subject to change without notice ©Elation Professional 11/08/17

Elation Professional USA | 6122 S. Eastern Ave. | Los Angeles, CA. 90040
323-582-3322 | 323-832-9142 fax | www.elationlighting.com | info@elationlighting.com

Elation Professional B.V. | Junostraat 2 | 6468 EW Kerkrade, The Netherlands
+31 45 546 85 66 | +31 45 546 85 96 fax | www.elationlighting.eu | info@elationlighting.eu