



## KL FRESNEL 8™

KL FRESNEL 8™ is a 350W 3,000K >96CRI Warm White LED fresnel, producing over 14,000 total lumen output, on par with compatible tungsten halogen models. Features include manual and DMX control, 11° to 57° wide motorized zoom, manual and DMX controlled dimmer, shutter, and zoom, dimmer and zoom rotary dials, smooth 16-bit selectable dimming modes and curves, LED refresh rate frequency adjustment for flicker free operation for TV and FILM, removable barn doors (included), RDM (remote device management) protocol support, 3/5pin DMX and powerCON TRUE1 in/out connections, 4 button control panel, LCD menu display, multiple unit power linking, a universal auto switching power supply (100-240v), gel frame and rotating bar doors (included), and a 3 clamp position adjustable mounting yoke.



### FEATURES

- 350W 3,000K >96CRI Warm White LED Engine**
- 14,000+ Total Lumen Output**
- Output On Par with Tungsten Halogen Models**
- 11° to 57° Wide Motorized Zoom**
- Manual and DMX Controlled Dimmer, Shutter, and Zoom**
- Dimmer and Zoom Rotary Dials**
- Smooth 16-bit Selectable Dimming Modes and Curves**
- LED Refresh Rate Adjustment**
- Flicker Free Operation for TV and FILM**
- RDM (Remote Device Management)**
- Gel Frame and Rotating Barn Doors (included)**
- 3 Clamp Position Adjustable Mounting Yoke**



**SPECIFICATIONS**

**SOURCE**

350W >96CRI 3,000K Cool White LED  
50,000 Hour Average LED Life\*

\*May vary depending on several factors including but not limited to:  
Environmental Conditions, Power/Voltage, Usage Patterns (On-Off Cycling), Control and Dimming.

**PHOTOMETRIC DATA**

14,000+ Total Lumen Output  
43,673 LUX 4,057 FC @6.6' (2m) (Min Zoom / Full ON)  
4,169 LUX 387 FC @6.6' (2m) (Max Zoom / Full ON)

**EFFECTS**

11° - 57° Wide Motorized Zoom  
Electronic Dimmer and Strobe  
Variable 16-bit Dimming Modes and Curves

**COLOR**

Warm White 3,000K

**CONTROL / CONNECTIONS**

Manual and DMX Controlled Dimmer, Shutter, and Zoom  
Dimmer and Zoom Rotary Dials  
(5) DMX Channel Modes (2 / 3 / 3 / 6 / 7)  
4 Button Control Panel LCD Menu Display  
RDM (Remote Device Management)  
3/5pin DMX and powerCON TRUE1 In/Out

**SIZE / WEIGHT**

Length: 23.95" (608.4mm)  
Width: 12.89" (327.5mm)  
Vertical Height: 17.95" (456mm)  
Weight: 28.0 lbs. (12.7kg)

**ELECTRICAL / THERMAL**

AC 100-240V - 50/60Hz  
430W Max Power Consumption  
Multiple Unit Power Linking  
5°F to 113°F (-15°C to 45°C)

**INCLUDED ITEMS**

Gel Frame and Rotating Barn Doors  
powerCON TRUE1 Power Cable  
Barn Doors and Fixture Safety Cables

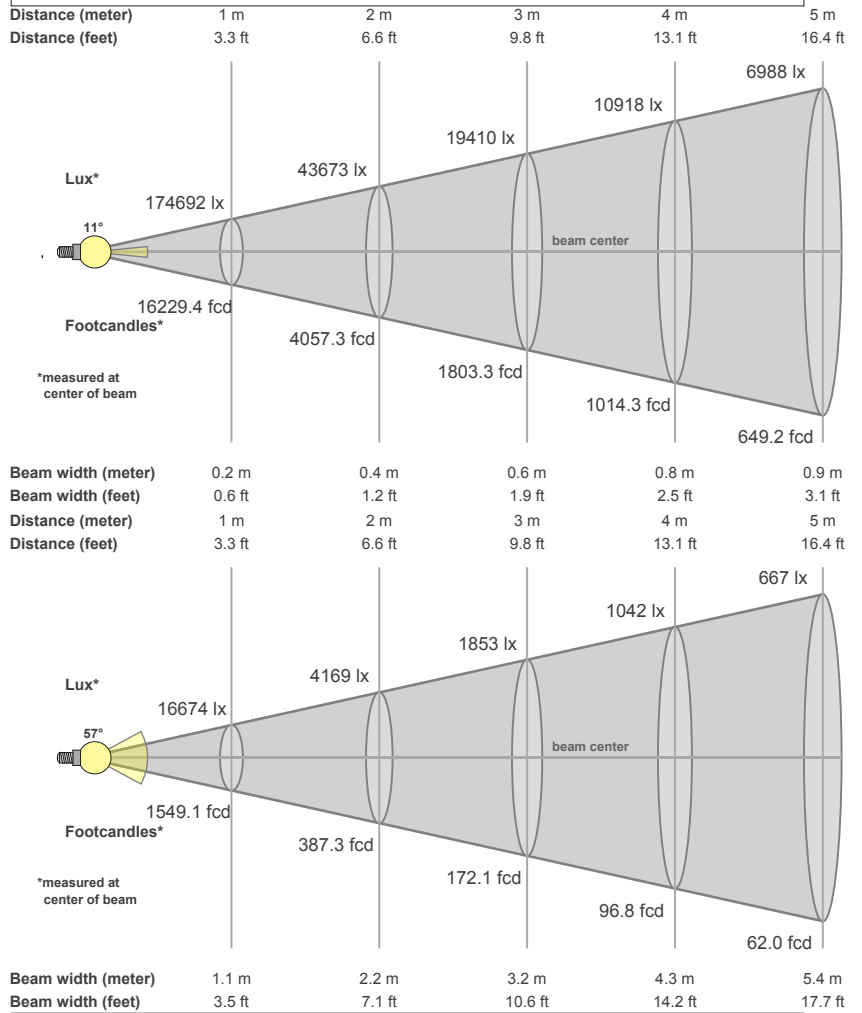
**APPROVALS / RATINGS**



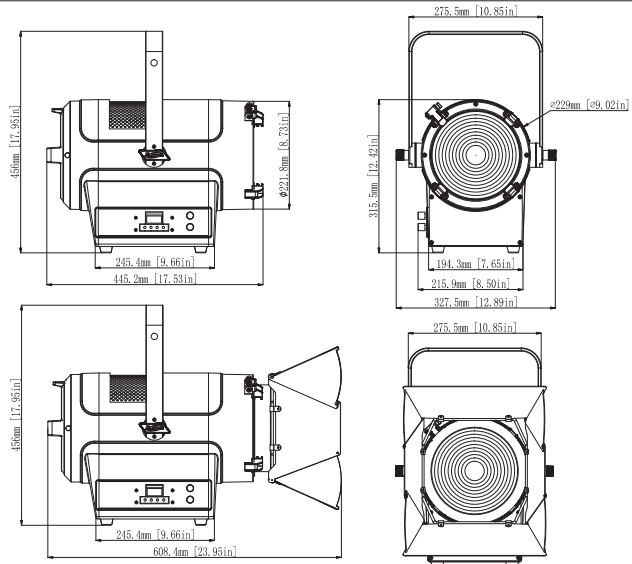
IP30



**PHOTOMETRIC DATA**



**DIMENSIONAL DIAGRAMS**



**ORDERING INFORMATION**

<b>KLF023</b>	KL FRESNEL 8
<b>TRIGGER CLAMP</b>	Heavy Duty Wrap Around Hook Style Clamp
<b>AC5PDMX5PRO</b>	5 ft. (1.5m) 5pin PRO DMX Cable (Additional cable lengths available)
<b>NEU088</b>	3 ft. (1m) PowerCON TRUE1 Power Link Cable (Additional cable lengths available)



Specifications subject to change without notice ©Elation Professional 03/05/19

Elation Professional USA | 6122 S. Eastern Ave. | Los Angeles, CA. 90040  
323-582-3322 | 323-832-9142 fax | www.elationlighting.com | info@elationlighting.com

Elation Professional B.V. | Junostraat 2 | 6468 EW Kerkrade, The Netherlands  
+31 45 546 85 66 | +31 45 546 85 96 fax | www.elationlighting.eu | info@elationlighting.eu