



ACL PAR 200IP™

SKU# ACL066

The new ACL PAR 200IP™ is a versatile IP65 rated par luminaire featuring (7) individual 15W RGBW 4-in-1 LEDs and the new advanced collimator optic lens, producing a laser-like homogenized 4° color-changing beam from each lens which combined produce a 11° beam angle. Features include full individual pixel control, strobe, and selectable dimming curve effects, DMX and RDM (Remote Device Management) support, IP DMX and IP power in/out connections, (4) touch control pads, LCD menu display, 110W max power consumption, and a multi-voltage universal auto switching power supply (100-240v).



FEATURES

Versatile IP65 Rated Par Luminaire

New Advanced Collimator Optic Lens

(7) Pixel Controlled 15W RGBW 4-in-1 LEDs

Laser-Like Homogenized 4° Color Changing Beams

Strobe and Selectable Dimming Curve Effects

DMX / RDM (Remote Device Management) Support

Flicker Free Operation for Broadcast TV and FILM



ELATION | ACL PAR 200IP™ | Product Specification Sheet

Specifications are subject to change without notice ©Elation Professional 05/22/16

Elation Professional USA | 6122 S. Eastern Ave. | Los Angeles, CA. 90040
323-582-3322 | 323-832-9142 fax | www.elationlighting.com | info@elationlighting.com

Elation Professional B.V. | Junostraat 2 | 6468 EW Kerkrade, The Netherlands
+31 45 546 85 66 | +31 45 546 85 96 fax | www.elationlighting.eu | info@elationlighting.eu

PRODUCT SPECIFICATIONS

SOURCE

(7) 15W RGBW 4-in-1 LEDs
100,000 Hour Average LED Life*

*LED Life may vary depending on several factors including but not limited to: Environmental Conditions, Power/Voltage, Usage Patterns (On-Off Cycling), Control and Dimming.

PHOTOMETRIC DATA

56,149 LUX 5,216 FC @3.3' (1m)
36,935 LUX 3,431 FC @6.6' (2m)
20,439 LUX 1,899 FC @9.8' (3m)
11,897 LUX 1,105 FC @13.1' (4m)
7,617 LUX 708 FC @16.4' (5m)

EFFECTS

Individual Pixel Control
Strobe and Selectable Dimming Curves

COLOR

RGBW

CONTROL / CONNECTIONS

(11) DMX Channel Modes
(4CH1:04 / 4CH2:04 / 6 / 8 / 10 / 12 / 27 / 28 / 30 / 32 / 35)
RDM (Remote Device Management)
4 Touch Control Pads
LCD Menu Display
IP DMX In/Out
IP Power In/Out

SIZE / WEIGHT

Length: 12.3" (313mm)
Width: 6.9" (174.5mm)
Vertical Height: 11.8" (300mm)
Weight: 14.0 lbs. (6.4 kg)

ELECTRICAL / THERMAL

AC 100-240V - 50/60Hz
110W Max Power Consumption
5F to 113°F (-15°C to 45°C)

APPROVALS / RATINGS



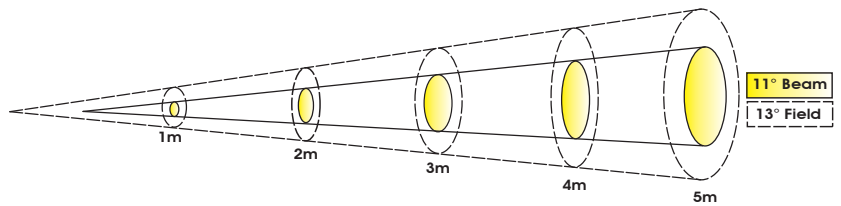
INSTALLATION

Rigging: Clamps (Not Included)
Working Position: Any (360°)

INCLUDED ITEMS

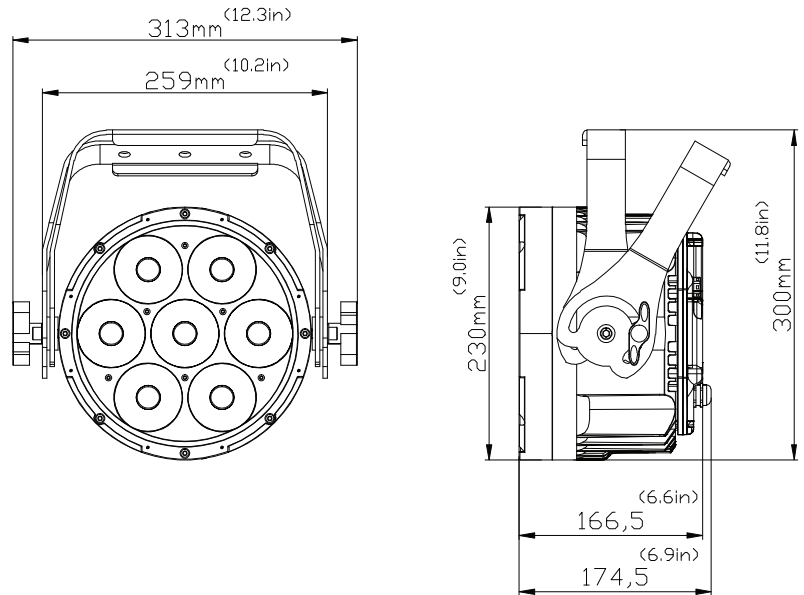
Male Edison to IP Female Power Cable 6.6 ft. (2m)
Male 3pin XLR to IP Female DMX Input Cable 3.3 ft (1m)
Female 3pin XLR to IP Male DMX Output Cable 3.3 ft (1m)

PHOTOMETRIC DATA



	1 m	3.3 ft	2 m	6.6 ft	3 m	9.8 ft	4 m	13.1 ft	5 m	16.4 ft
11° Beam	0.19	0.6	0.39	1.3	0.55	1.8	0.75	2.5	0.92	3.0
13° Field	0.29	1.0	0.83	2.7	0.83	2.7	1.11	3.6	1.42	4.7
	lux	fc	lux	fc	lux	fc	lux	fc	lux	fc
RED LEDs	11,493	1,068	7,530	700	4,135	384	2,319	215	1,554	144
GREEN LEDs	22,716	2,110	16,311	1,515	10,157	944	6,141	570	3,865	359
BLUE LEDs	4,664	433	3,352	311	1,932	179	1,120	104	713	66
WHITE LEDs	37,175	3,454	19,496	1,811	9,524	885	5,512	512	3,421	318
FULL ON	56,149	5,216	36,935	3,431	20,439	1,899	11,897	1,105	7,617	708

DIMENSIONAL DIAGRAMS



OPTIONAL ACCESSORIES

ORDER CODE	ITEM
TRIGGER CLAMP	Heavy Duty Wrap Around Hook Style Clamp
EWD001	EWDMX IP Wireless IP65 DMX Transceiver
SIXPAR/2MDLC	6.6 ft. (2m) IP Data Link Cable
SIXPAR/2MPLC	6.6 ft. (2m) IP Power Link Cable
SIXPAR/3MDLC	9.8 ft. (3m) IP Data Link Cable
SIXPAR/3MDLC	9.8 ft. (3m) IP Power Link Cable
SIXPAR/5MDLC	**SPECIAL ORDER ITEM** 16.4 ft. (5m) IP Data Link Cable
SIXPAR/5MPLC	**SPECIAL ORDER ITEM** 16.4 ft. (5m) IP Power Link Cable
SIXPAR/10MDLC	**SPECIAL ORDER ITEM** 32.8 ft. (10m) IP Data Link Cable
SIXPAR/10MPLC	**SPECIAL ORDER ITEM** 32.8 ft. (10m) IP Power Link Cable
SIXPAR/20MDLC	**SPECIAL ORDER ITEM** 65.6 ft. (20m) IP Data Link Cable
SIXPAR/20MPLC	**SPECIAL ORDER ITEM** 65.6 ft. (20m) IP Power Link Cable
SIXPAR/DIAC	Data IN IP Adapter Cable
SIXPAR/DOAC	Data OUT IP Adapter Cable
SIXPAR/PIAC	Power IN IP Adapter Cable
SIXPAR/POAC	Power OUT IP Adapter Cable
SIXPAR/TERMINATOR	DMX Terminator End Cap
SIXPAR200/GFH	Gel Frame and Holder Kit



Specifications are subject to change without notice ©Elation Professional 05/22/16

Elation Professional USA | 6122 S. Eastern Ave. | Los Angeles, CA 90040
323-582-3322 | 323-832-9142 fax | www.elationlighting.com | info@elationlighting.com

Elation Professional B.V. | Junostraat 2 | 6468 EW Kerkrade, The Netherlands
+31 45 546 85 66 | +31 45 546 85 96 fax | www.elationlighting.eu | info@elationlighting.eu