

ARTISTE PICASSO



The Artiste Picasso FIL™ is a full-featured innovative theatrical-grade luminaire featuring a new 620W 6,800K Cool White LED engine with advanced optics that delivers over 23,000 total lumen output, ultra wide and fast 7° to 55° zoom, a full CMY color mixing system producing a full spectrum of shades from pastels to rich saturated colors, linear CTO color correction, 6 dichroic colors including a high 87 CRI filter, 7 rotating/indexing glass and 7 static-stamped metal interchangeable gobos, 4 rotating full blackout framing blades with +/- 45° individual blade rotation, full 360° bi-directional animation wheel, 4-facet and linear rotating prisms and 2 frost filters, internal color, framing, prism, and frost macros, motorized iris with variable pulse effects, motorized focus and auto-focus feature, 16-bit pan, tilt, and dimming control, variable dimming curve modes, high speed electronic shutter and strobe, adjustable LED refresh rate and gamma brightness for flicker free operation for TV and FILM, silent fan mode for noise-sensitive applications, DMX, RDM (Remote Device Management), Art-NET, and sACN protocol support, Elation's E-FLY™ internal wireless DMX transceiver, 5pin XLR, RJ45 etherCON, and powerCON TRUE1 connections, full color 180° reversible LCD control panel, battery backup for display power, and a multi-voltage universal auto switching power supply (100-240v).

FEATURES

- 620W 6,800K Cool White LED Luminaire**
- 23,000+ Total Lumen Output | 7° to 55° Motorized Zoom**
- Full CMY Color Mixing and Linear CTO Color Correction**
- 6 Dichroic Colors including a High 87 CRI Filter**
- 7 Rotating Glass, 7 Stamped Metal Interchangeable Gobos**
- 4 Rotating Full Blackout Framing Blades**
- Full 360° Bi-Directional Animation Wheel + 2 Frost Filters**
- 4-Facet and Linear Rotating Prisms**
- Internal Color, Framing, Prism, and Effect Macros**
- Motorized Iris and Focus with Auto-Focus Feature**
- 16-bit Pan, Tilt, and Variable Dimming Curve Modes**
- High Speed Electronic Shutter and Strobe**
- Adjustable LED Refresh Rate Frequency and Gamma**
- Flicker Free Operation for Broadcast TV and FILM**
- Silent Fan Mode, DMX, RDM, Art-NET, and sACN Support**
- Elation's E-FLY™ Internal Wireless DMX Transceiver**
- Low Heat, Quiet Operation, Hibernation Mode (Power Save)**
- Custom Fitted Polyurethane Foam FIL (Foam in Lay) Insert**

The Artiste Picasso FIL ships in a cardboard box with a custom fitted polyurethane foam FIL (Foam In Lay) insert. This foam insert easily fits into any custom sized flight case (not included), and provides enhanced impact protection during transport.



Specifications are subject to change without notice ©Elation Professional 02/06/19

Elation Professional USA | 6122 S. Eastern Ave. | Los Angeles, CA. 90040
323-582-3322 | 323-832-9142 fax | www.elationlighting.com | info@elationlighting.com

Elation Professional B.V. | Junostraat 2 | 6468 EW Kerkrade, The Netherlands
+31 45 546 85 66 | +31 45 546 85 96 fax | www.elationlighting.eu | info@elationlighting.eu

SPECIFICATIONS

SOURCE

620W 6,800K Cool White LED Engine
30,000 Hour Average LED Life*

*LED Life may vary depending on several factors including but not limited to: Environmental Conditions, Power/Voltage, Usage Patterns (On-Off Cycling), Control and Dimming.

PHOTOMETRIC DATA

23,000+ Total Lumen Output
45,095 LUX 4,189 FC @16.4' (5m) (Min Zoom / Full ON)
1,708 LUX 159 FC @16.4' (5m) (Max Zoom / Full ON)

EFFECTS

7° - 55° Motorized Zoom
4 Rotating Full Blackout Framing Blades
Full 360° Bi-Directional Rotating Animation Wheel
4-Facet and Linear Rotating Prisms
2 Frost Filters, Color, Framing, Prism, and Frost Macros
Motorized Iris and Focus with Auto-Focus Feature
16-Bit Variable Dimming Curve Modes
Adjustable LED Refresh Rate and Gamma Brightness

COLOR

6 Dichroic Colors including a High 87 CRI Filter
Full CMY Color Mixing + Linear CTO Color Correction

GOBOS

7 Interchangeable Rotating / Indexing Glass Gobos
7 Interchangeable Static-Stamped Metal Gobos

CONTROL / CONNECTIONS

2 DMX Channel Modes (36 / 62 channels)
Adjustable Refresh Rate (900-25,000 Hz)
Adjustable Gamma Brightness (2.0, 2.2, 2.4, 2.8)
Full Color 180° Reversible LCD Control Panel
8 / 16 Bit Resolution Adjustable Movement
DMX, RDM, Art-NET and sACN Protocol Support
Elation E-FLY™ Internal Wireless DMX Transceiver
5pin DMX, RJ45 Ethernet In/Out
powerCON TRUE1 Power In

SIZE / WEIGHT

Length: 18.0" (457mm)
Width: 21.5" (544.5mm)
Vertical Height: 29.8" (757.5mm)
Weight: 84.0 lbs. (38.1kg)

ELECTRICAL / THERMAL

AC 100-240V - 50/60Hz
1000W Max Power Consumption
14°F to 113°F (-10°C to 45°C)

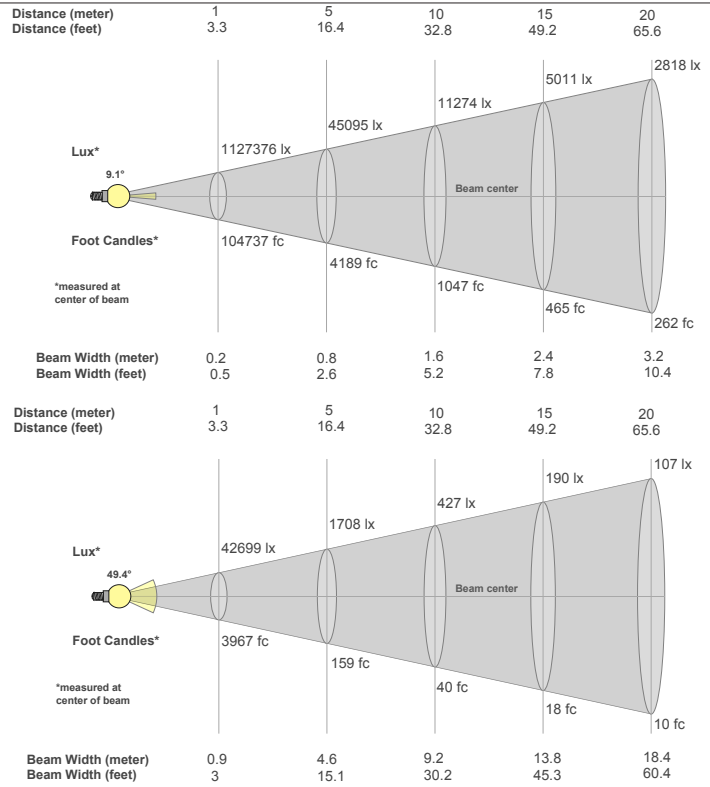
APPROVALS / RATINGS



ORDERING INFORMATION

EAP963	ARTISTE PICASSO FIL™
TRIGGER CLAMP	Heavy Duty Wrap Around Hook Style Clamp
EFL001	E-FLY™ Wireless DMX Transceiver
AC5PDMX5PRO	5 ft. (1.5m) 5pin PRO DMX Cable
NEU088	3 ft. (1m) powerCON TRUE1 Power Link Cable
CAT6PRO5	5 ft. (1.5m) CAT6 EtherCON Cable
	Additional cable lengths available

PHOTOMETRIC DATA

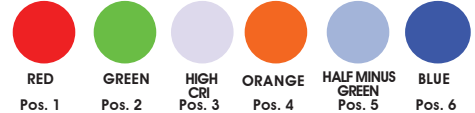


COLORS AND GOBOS

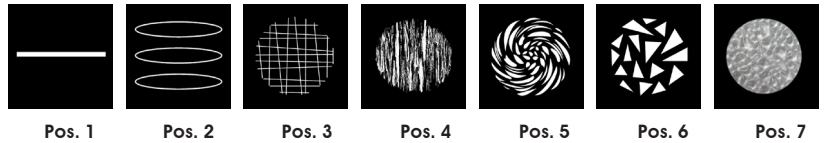
COLOR FLAGS



COLOR WHEEL



INTERCHANGEABLE-ROTATING GLASS GOBO WHEEL 1

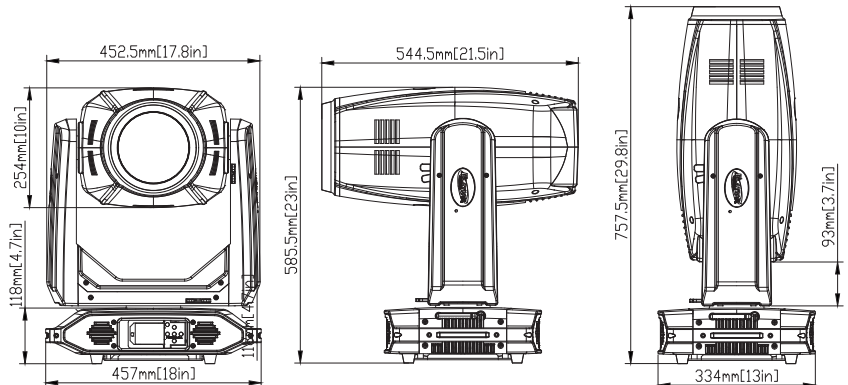


INTERCHANGEABLE STATIC-FIXED METAL GOBO WHEEL 2



****IMPORTANT NOTICE REGARDING GOBO DIMENSIONS AND CUSTOM GOBOS****
Due to the extreme high temp optical system, special material and design requirements are required. Please contact ELATION Customer Support for specific details.

DIMENSIONAL DIAGRAMS

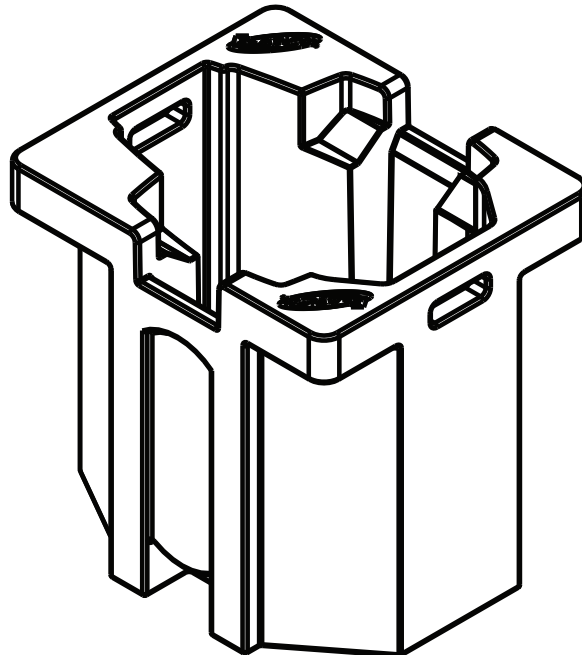
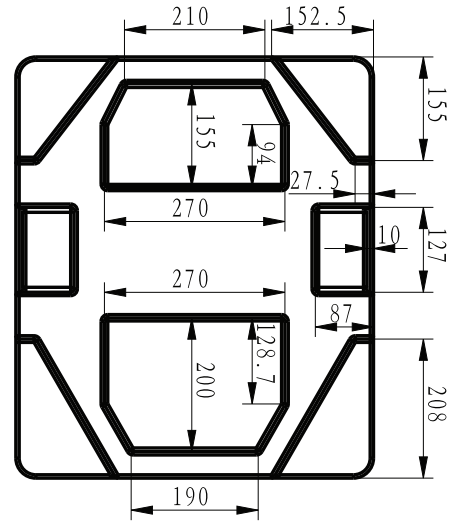
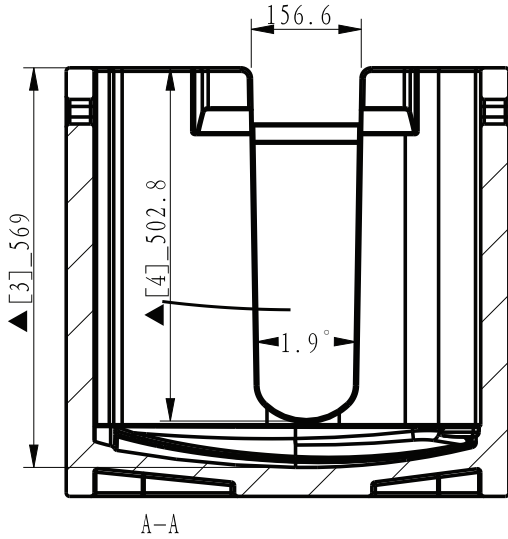
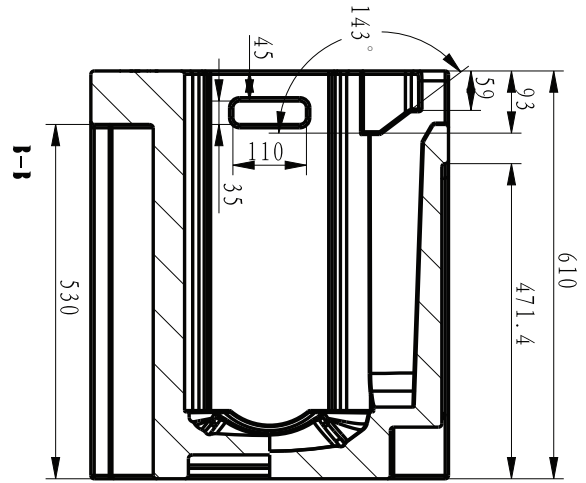
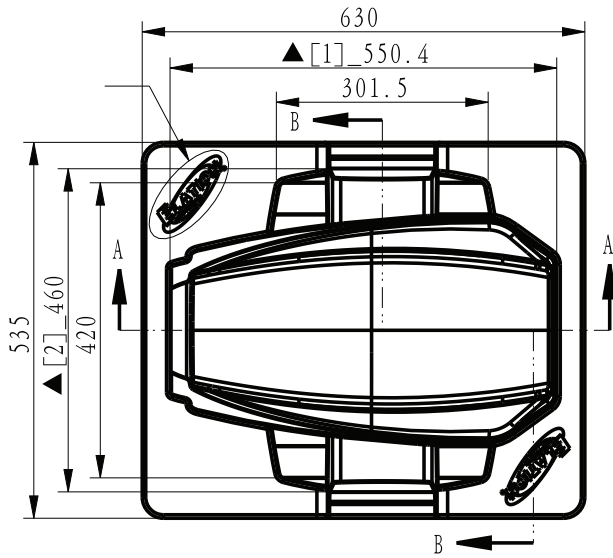


Specifications are subject to change without notice ©Elation Professional 02/06/19

Elation Professional USA | 6122 S. Eastern Ave. | Los Angeles, CA. 90040
323-582-3322 | 323-832-9142 fax | www.elationlighting.com | info@elationlighting.com

Elation Professional B.V. | Junostraat 2 | 6468 EW Kerkrade, The Netherlands
+31 45 546 85 66 | +31 45 546 85 96 fax | www.elationlighting.eu | info@elationlighting.eu

FOAM IN LAY DIMENSIONAL DRAWINGS



0.080



Specifications are subject to change without notice ©Elation Professional 02/06/19

Elation Professional USA | 6122 S. Eastern Ave. | Los Angeles, CA. 90040
323-582-3322 | 323-832-9142 fax | www.elationlighting.com | info@elationlighting.com

Elation Professional B.V. | Junostraat 2 | 6468 EW Kerkrade, The Netherlands
+31 45 546 85 66 | +31 45 546 85 96 fax | www.elationlighting.eu | info@elationlighting.eu