

TVL PANEL DW™

user manual

©2016 **ELATION PROFESSIONAL** all rights reserved. Information, specifications, diagrams, images, and instructions herein are subject to change without notice. ELATION PROFESSIONAL logo and identifying product names and numbers herein are trademarks of ELATION PROFESSIONAL. Copyright protection claimed includes all forms and matters of copyrightable materials and information now allowed by statutory or judicial law or hereinafter granted. Product names used in this document may be trademarks or registered trademarks of their respective companies and are hereby acknowledged. All non-ELATION brands and product names are trademarks or registered trademarks of their respective companies.

ELATION PROFESSIONAL and all affiliated companies hereby disclaim any and all liabilities for property, equipment, building, and electrical damages, injuries to any persons, and direct or indirect economic loss associated with the use or reliance of any information contained within this document, and/or as a result of the improper, unsafe, insufficient and negligent assembly, installation, rigging, and operation of this product.

Elation Professional USA | 6122 S. Eastern Ave. | Los Angeles, CA. 90040
323-582-3322 | 323-832-9142 fax | www.elationlighting.com | info@elationlighting.com

Elation Professional B.V. | Junostraat 2 | 6468 EW Kerkrade, The Netherlands
+31 45 546 85 66 | +31 45 546 85 96 fax | www.elationlighting.eu | info@elationlighting.eu



DOCUMENT VERSION

Due to additional product features and/or enhancements, an updated version of this document may be available online. www.elationlighting.com

Please check Elation Service for the latest revision/update of this manual, before beginning installation and/or programming.

Date	Document Version	Software Version ≥	DMX Channel Modes	Notes
11/21/16	1	1.1	2 / 3 / 4 / 5 / 6 / 7	Initial release.
07/14/17	2	1.3	No Change	Added LED Refresh Rate and Gamma, updated DMX chart, ETL.

C O N T E N T S

General Information	4
Warranty	6
Safety Instructions and Guidelines	7
Fixture Overview	9
Barn Door Installation	10
Fixture Installation	11
Fixture Menu	14
DMX Channel Functions And Values	16
Cleaning and Maintenance	17
Technical Specifications	18
Optional Accessories	21

GENERAL INFORMATION

INTRODUCTION

This fixture has been designed to perform reliably for years when the guidelines in this booklet are followed. Please read and understand the instructions in this manual carefully and thoroughly before attempting to operate this unit. These instructions contain important information regarding safety during use and maintenance.

UNPACKING

Every fixture has been thoroughly tested and has been shipped in perfect operating condition. Carefully check the shipping carton for damage that may have occurred during shipping. If the carton appears to be damaged, carefully inspect your unit for damage and be sure all accessories necessary to operate the unit have arrived intact. In the event damage has been found or parts are missing, please contact our customer support team for further instructions. Please do not return this unit to your dealer without first contacting customer support at the number listed below. Please do not discard the shipping carton in the trash. Please recycle whenever possible.

BOX CONTENTS

Barn Door

Barn Door Safety Cable

Fixture Safety Cable

powerCON TRUE1 Cable

CUSTOMER SUPPORT

Elation Professional® provides a customer support line, to provide set up help and to answer any question should you encounter problems during your set up or initial operation. You may also visit us on the web at www.elationlighting.com for any comments or suggestions. For service related issue please contact Elation Professional®.

ELATION SERVICE USA - Monday - Friday 8:00am to 5:00pm PST

Voice: 323-582-3322

Fax: 323-832-9142

E-mail: support@elationlighting.com

ELATION SERVICE EUROPE - Monday - Friday 08:30 to 17:00 CET

Voice: +31 45 546 85 30

Fax: +31 45 546 85 96

E-mail: support@elationlighting.eu

WARRANTY REGISTRATION

Please complete and mail in the enclosed warranty card or register online: <http://www.elationlighting.com/Login.aspx> to validate your purchase. All returned service items whether under warranty or not, must be freight pre-paid and accompany a return authorization (R.A.) number. The R.A. number must be clearly written on the outside of the return package. A brief description of the problem as well as the R.A. number must also be written down on a piece of paper and included in the shipping container. If the unit is under warranty, you must provide a copy of your proof of purchase invoice. Items returned without a R.A. number clearly marked on the outside of the package will be refused and returned at customer's expense. You may obtain a R.A. number by contacting customer support at 323-582-3322.



IMPORTANT NOTICE!

There are no user serviceable parts inside this unit. Do not attempt any repairs yourself; doing so will void your manufactures warranty. Damages resulting from modifications to this fixture and/or the disregard of safety and general user instructions found in this user manual void the manufactures warranty and are not subject to any warranty claims and/or repairs.

LIMITED WARRANTY

A. Elation Professional® hereby warrants, to the original purchaser, Elation Professional® products to be free of manufacturing defects in material and workmanship for a period of two years (730 days), and Elation Professional® product rechargeable batteries to be free of manufacturing defects in material and workmanship for a period of six months (180 days), from the original date of purchase. This warranty excludes discharge lamps and all product accessories. This warranty shall be valid only if the product is purchased within the United States of America, including possessions and territories. It is the owner's responsibility to establish the date and place of purchase by acceptable evidence, at the time service is sought.

B. For warranty service, send the product only to the Elation Professional® factory. All shipping charges must be pre-paid. If the requested repairs or service (including parts replacement) are within the terms of this warranty, Elation Professional® will pay return shipping charges only to a designated point within the United States. If any product is sent, it must be shipped in its original package and packaging material. No accessories should be shipped with the product. If any accessories are shipped with the product, Elation Professional® shall have no liability what so ever for loss and/or or damage to any such accessories, nor for the safe return thereof.

C. This warranty is void if the product serial number and/or labels are altered or removed; if the product is modified in any manner which Elation Professional® concludes, after inspection, affects the reliability of the product; if the product has been repaired or serviced by anyone other than the Elation Professional® factory unless prior written authorization was issued to purchaser by Elation Professional®; if the product is damaged because not properly maintained as set forth in the product instructions, guidelines and/or user manual.

D. This is not a service contract, and this warranty does not include any maintenance, cleaning or periodic check-up. During the periods as specified above, Elation Professional® will replace defective parts at its expense, and will absorb all expenses for warranty service and repair labor by reason of defects in material or workmanship. The sole responsibility of Elation Professional® under this warranty shall be limited to the repair of the product, or replacement thereof, including parts, at the sole discretion of Elation Professional®. All products covered by this warranty were manufactured after January 1, 1990, and bare identifying marks to that effect.

E. Elation Professional® reserves the right to make changes in design and/or performance improvements upon its products without any obligation to include these changes in any products theretofore manufactured.

F. No warranty, whether expressed or implied, is given or made with respect to any accessory supplied with the products described above. Except to the extent prohibited by applicable law, all implied warranties made by Elation Professional® in connection with this product, including warranties of merchantability or fitness, are limited in duration to the warranty periods set forth above. And no warranties, whether expressed or implied, including warranties of merchantability or fitness, shall apply to this product after said periods have expired. The consumer's and/or dealer's sole remedy shall be such repair or replacement as is expressly provided above; and under no circumstances shall Elation Professional® be liable for any loss and/or damage, direct and/or consequential, arising out of the use of, and/or the inability to use, this product.

G. This warranty is the only written warranty applicable to Elation Professional® products and supersedes all prior warranties and written descriptions of warranty terms and conditions heretofore published.

SAFETY INSTRUCTIONS AND GUIDELINES

This fixture is an extremely sophisticated piece of electronic equipment. To guarantee a smooth operation, it is important to follow all instructions and guidelines in this manual. The manufacturer of this device is not responsible for injury and/or damages resulting from the misuse of this fixture due to the disregard of the information printed in this manual. Only qualified and/or certified personnel should perform installation of this fixture and only the original rigging parts (omega brackets) included with this fixture should be used for installation. Any modifications to the fixture and/or the mounting hardware included will void the original manufacturer's warranty and increase the risk of damage and/or personal injury.



PROTECTION CLASS 1 - FIXTURE MUST BE PROPERLY GROUNDED

DO NOT PLUG FIXTURE INTO A DIMMER PACK!



NEVER OPEN THIS FIXTURE WHILE IN USE!

UNPLUG POWER BEFORE SERVICING FIXTURE!

NEVER TOUCH FIXTURE DURING OPERATION, AS IT MAY BE HOT!

KEEP FLAMMABLE MATERIALS AWAY FROM FIXTURE!



INDOOR / DRY LOCATIONS USE ONLY!

DO NOT EXPOSE FIXTURE TO RAIN AND MOISTURE!



NEVER LOOK DIRECTLY INTO THE LIGHT SOURCE!

RETINA INJURY RISK - MAY INDUCE BLINDNESS!

SENSITIVE PERSONS MAY SUFFER AN EPILEPTIC SHOCK!

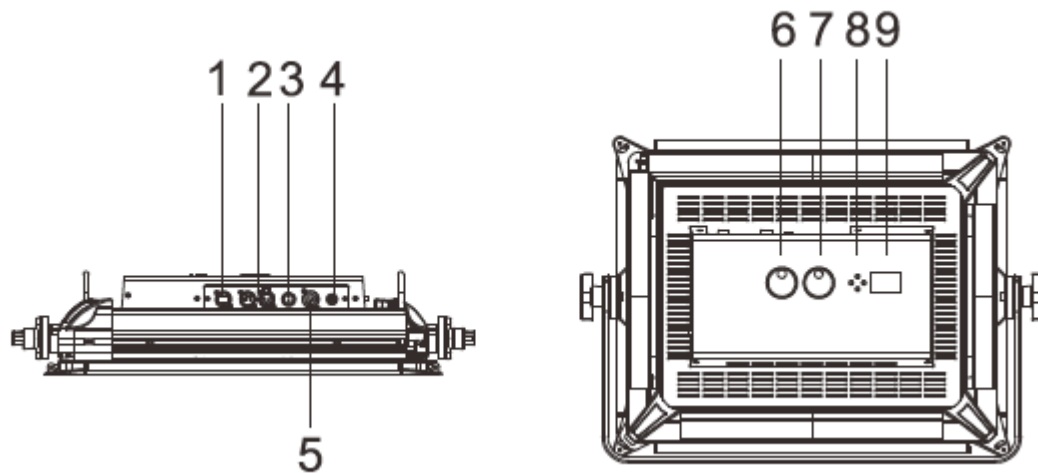
S A F E T Y I N S T R U C T I O N S A N D G U I D E L I N E S

- **DO NOT TOUCH** the fixture housing during operation. Turn OFF the power and allow approximately 15 minutes for the fixture to cool down before serving.
- **DO NOT** shake fixture, avoid brute force when installing and/or operating fixture.
- **DO NOT** operate fixture if the power cord has become frayed, crimped and/or damaged. If the power cord is damaged, replace it immediately with a new one of similar power rating.
- **DO NOT** block any air ventilation slots. All fan and air inlets must remain clean and never blocked. Allow approx. 6" (15cm) between fixture and other devices or a wall for proper cooling.
- When installing fixture in a suspended environment, always use mounting hardware that is no less than M10 x 25 mm, and always install fixture with an appropriately rated safety cable.
- Always disconnect fixture from main power source before performing any type of service and/or cleaning procedure. Only handle the power cord by the plug end, never pull out the plug by tugging the wire portion of the cord.
- During the initial operation of this fixture, a light smoke or smell may emit from the interior of the fixture. This is a normal process and is caused by excess paint in the interior of the casing burning off from the heat associated with the lamp and will decrease gradually over time.
- Consistent operational breaks will ensure the fixture will function properly for many years to come.
- Use the original packaging and materials to transport the fixture in for service.

LED LIFE

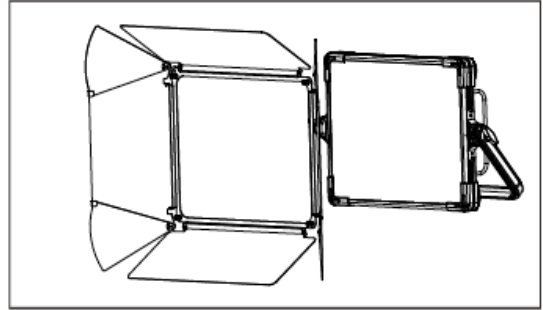
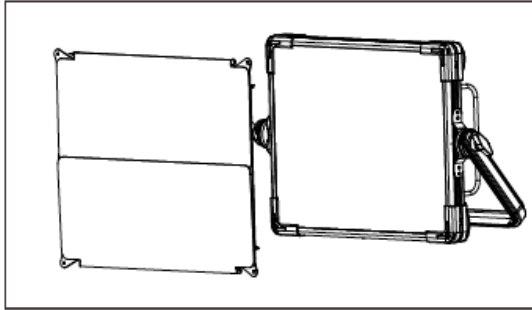
The average LED Life (hours) may vary depending on several factors including but not limited to: Environmental Conditions, Power/Voltage, Usage Patterns (On-Off Cycling), Control and Dimming.

FIXTURE OVERVIEW

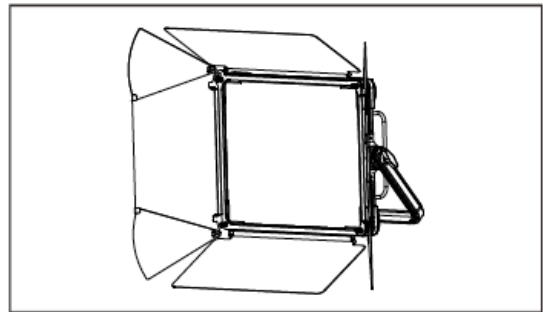
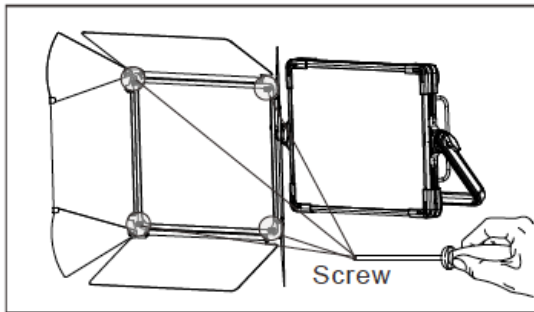


1. etherCON (RJ45) IN
2. 5pin DMX IN/OUT
3. BATTERY Connection - **NOT SUPPORTED AT THIS TIME**
4. FUSE (T5A)
5. powerCON TRUE1 IN
6. DIMMER Dial (manual control)
7. COLOR TEMPERATURE DIAL (manual control)
8. MENU, UP, DOWN, ENTER Buttons
9. LCD Menu Function Display

BARN DOOR INSTALLATION



1. Remove barn door from packaging.
2. Open barn door fully and position in front of the fixture.



3. Align each of the (4) mounting screws by pushing them into place.
4. Secure each screw by hand first turning clockwise.
5. Tighten each screw with a screwdriver. **DO NOT OVER TIGHTEN SCREWS!**



MAKE SURE BARN DOOR IS COMPLETELY SECURED TO FIXTURE BEFORE INSTALLING!



ATTACH INCLUDED BARN DOOR SAFETY CABLE TO FIXTURE BEFORE INSTALLING!

FIXTURE INSTALLATION



FLAMMABLE MATERIAL WARNING

Keep fixture at least 5.0 feet (1.5m) away from any flammable materials, decorations, pyrotechnics, etc.



ELECTRICAL CONNECTIONS

A qualified electrician should be used for all electrical connections and/or installations.

DO NOT INSTALL THE FIXTURE IF YOU ARE NOT QUALIFIED TO DO SO!

Fixture MUST be installed following all local, national, and country commercial electrical and construction codes and regulations.

Before rigging/mounting the fixture to any metal truss/structure or placing the fixture on any surface, a professional equipment installer MUST be consulted to determine if the metal truss/structure or surface is properly certified to safely hold the combined weight of the fixture, clamps, cables, and accessories.

Maximum ambient operating temperature for this fixture **104°F. (40°C)**

Do not use the fixture above this temperature.

Maximum external surface temperature of this fixture is **185°F (85°C)**.

Fixture should be installed in areas outside walking paths, seating areas, or away from areas where unauthorized personnel might reach the fixture by hand.

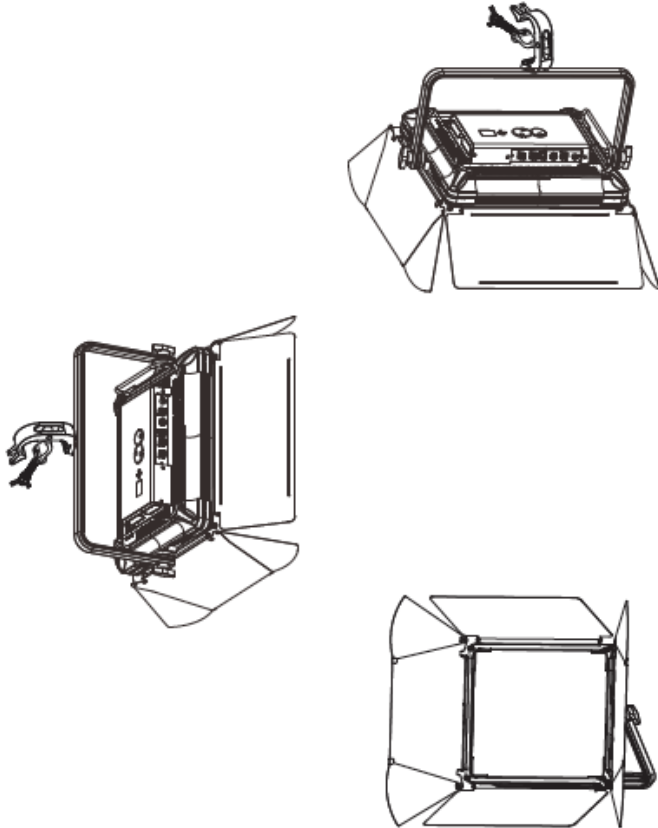
NEVER stand directly below the fixture when rigging, removing or servicing.

Overhead fixture installation must always be secured with a secondary safety attachment, such as an appropriately rated safety cable that can hold 10 times the weight of the fixture.

Allow approximately 15 minutes for the fixture to cool down before serving.

MOUNTING POINTS

Overhead mounting requires extensive experience, including amongst others calculating working load limits, installation material being used, and periodic safety inspection of all installation material and the device. If you lack these qualifications, do not attempt the installation yourself. Improper installation can result in bodily injury. Fixture is fully operational in the specific mounting positions as illustrated below.

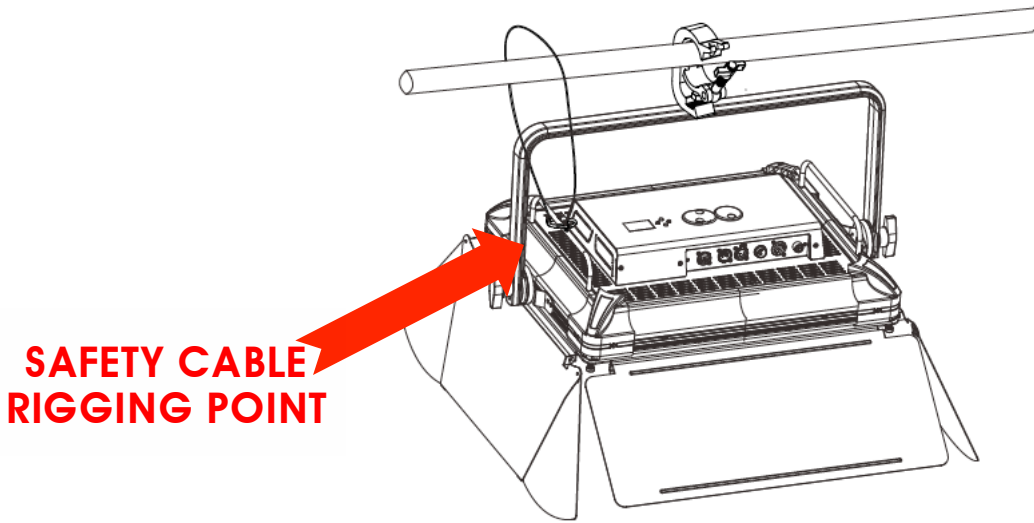


S A F E T Y C A B L E

ALWAYS ATTACH A SAFETY CABLE TO THE BARN DOOR AND TO THE FIXTURE WHENEVER INSTALLING THIS IN A SUSPENDED ENVIRONMENT TO ENSURE THE BARN DOOR AND/OR THE FIXTURE WILL NOT DROP IF THERE IS A HARDWARE FAILURE.

CLAMP MOUNTING

The fixture includes an adjustable mounting yoke that attaches to both sides of the fixture. When mounting this fixture to truss be sure to secure an appropriately rated clamp to the mounting yoke using a M10 screw fitted through the center hole of the mounting yoke. Be sure to attach a **Safety Cable** to the fixture using the safety cable rigging point on the back of the fixture as illustrated below.



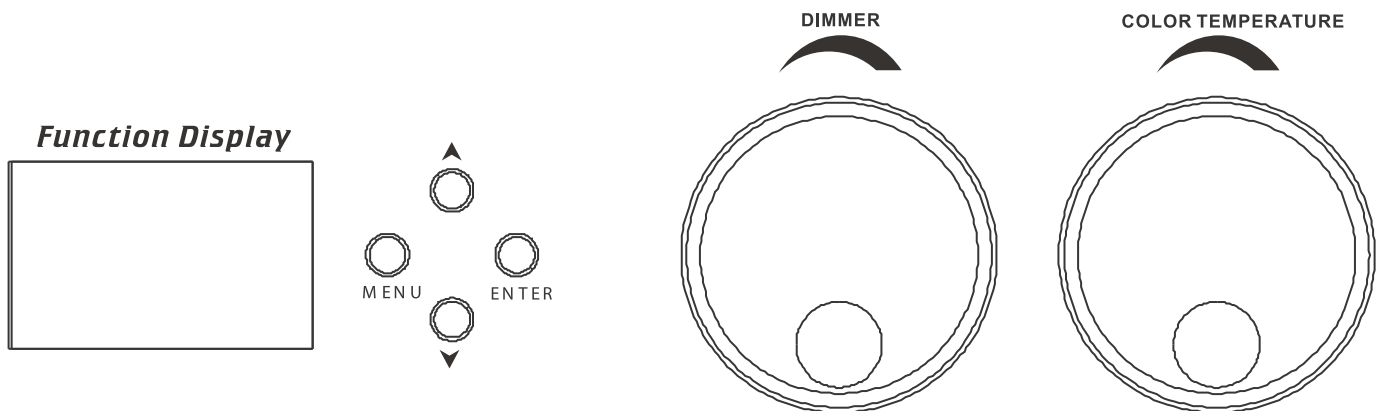
FIXTURE MENU


ON-BOARD SYSTEM MENU

The fixture comes with an easy to navigate system menu. The next section will detail the functions of each command in the system menu.

LCD MENU CONTROL PANEL

The control panel (see image below) located on back of the fixture allows you to access the main menu and make all necessary adjustments to the fixture. During normal operation, pressing **MENU** button once will access the fixture's main menu. Once in the main menu you can navigate through the different functions and access the sub-menus with the **UP** and **DOWN** buttons. Once you reach a field that requires adjusting, press the **ENTER** button to activate that field and use the **UP** and **DOWN** buttons to adjust the field. Pressing the **ENTER** button once more will confirm your setting. You may exit the main menu at any time without making any adjustments by pressing and holding the **MENU** button for 3 seconds.



 The **MENU** display will lock when **NO** buttons are pressed for **30** seconds. When the display locks, none of the control panel buttons will respond. To unlock the display, press and hold the **MENU** button **5** seconds to access the menu options once again

 The **DIMMER** and **COLOR TEMPERATURE** control dials are disabled by default. To enable, press and hold the **ENTER** button down for **3** seconds.

**ELATION® TVL PANEL DW™
SYSTEM MENU**

Supports Software Versions: ≥V1.1

Features subject to change without any prior written notice.

MAIN MENU	SUB MENU	OPTIONS / VALUES (Default Settings in BOLD)		DESCRIPTION
DMX Setting	DMX Address	001 - 512		Set DMX Address Setting
	Art-Net Setup	Ethernet IP Setup	IP Address 000.000.000.000	Set Fixture IP Address
			Subnet Mask 000.000.000.000	Set Fixture Subnet Mask Address
		Art-Net Port Setup	Net 0-255	Set Art-NET port Settings
			Subnet 0-15	
	Universe 0-15			
Channel Mode	2 Channel, 3 Channel , 4 Channel, 5 Channel, 6 Channel, 7 Channel		Select DMX Channel Mode	
Slave Mode		Master , Slave	Set Slave Mode	
DMX Last State		Master Slave , Blackout, Last Start		Define How Fixture Reacts When NO DMX Signal Is Present
Dimmer Curve		Standard, Stage, TV, Architec, Theatre		Set Dimming Curve Mode
White Balance		Warm White	50-100	Adjust White Balance Setting
		Cool White	50-100	
Display Setting	Contrast Ratio	15 (0 - 30)		Adjust LCD Control Display Contrast Level
	Backlight Auto Off	No , Yes		Set LCD Display Backlight Function
	Invert Display	No , Yes		Flip LCD Control Display 180°
Manual Control		Warm White	0 - 255	Control DMX Values Manually
		Cool White	0 - 255	
Fixture Information	Fixture Time	0 (hours)		Fixture Information
	Firmware Version	≥CPU-A Vx.xx		
		≥CPU-B Vx.xx		
Factory Setting		No , Yes		Reset to factory default settings

SYSTEM MENU CHANGE WITH SOFTWARE UPDATE VERSION 1.3

See highlighted menu items below which have been updated with this software update.

ELATION® TVL PANEL DW™ SYSTEM MENU				
Supports Software Versions: ≥V1.3				
Features subject to change without any prior written notice.				
MAIN MENU	SUB MENU	OPTIONS / VALUES (Default Settings in BOLD)		DESCRIPTION
DMX Setting	DMX Address	001 - 512		Set DMX Address Setting
	Art-Net Setup	Ethernet IP Setup	IP Address 000.000.000.000	Set Fixture IP Address
			Subnet Mask 000.000.000.000	Set Fixture Subnet Mask Address
		Art-Net Port Setup	Net 0-255	Set Art-NET port Settings
	Subnet 0-15			
Channel Mode	2 Channel, 3 Channel , 4 Channel, 5 Channel, 6 Channel, 7 Channel		Select DMX Channel Mode	
Slave Mode		Master , Slave		Set Slave Mode
DMX Last State		Master Slave , Blackout, Last Start		Define How Fixture Reacts When NO DMX Signal Is Present
Dimmer Curve Setting		Standard, Stage, TV, Architec, Theatre		Set Dimming Curve Mode
Frequency	Refresh	900hz - 1500hz, 2500hz, 4000hz, 5000hz, 10000hz, 15000hz, 20000hz 25000 (1200)		Refresh Frequency Rate Setting (Software version 1.3 or higher)
	Gamma	No , 2.0, 2.2, 2.4, 2.8		Gamma Setting (Software version 1.3 or higher)
White Balance		Warm White	50- 100	Adjust White Balance Setting
		Cool White	50- 100	
Display Setting	Contrast Ratio	15 (0 - 30)		Adjust LCD Control Display Contrast Level
	Backlight Auto Off	No , Yes		Set LCD Display Backlight Function
	Invert Display	No , Yes		Flip LCD Control Display 180°
Manual Mode		Warm White	0 - 255	Control DMX Values Manually
		Cool White	0 - 255	
Fixture Information	Fixture Time	0 (hours)		Fixture Information
	Firmware Version	≥CPU-A V		
		≥CPU-B V		
Factory Setting		No , Yes		Reset to factory default settings

DMX CHANNEL FUNCTIONS AND VALUES

ELATION® TVL PANEL DW™							
DMX Channel Values / Functions (7 Total DMX Channels)							
Supports Software Versions: ≥V1.1							
Features subject to change without any prior written notice.							
MODE / CHANNEL						VALUE	FUNCTION
2	3	4	5	6	7		
	1		1	1	1		WARM WHITE LEDS
						0-255	Cool White (0=Black - 255=100%) [255]
	2		2	2	2		COOL WHITE LEDS
						0-255	Warm White (0=Black - 255=100%) [255]
1		1			3		COLOR TEMPERATURE - LINEAR VARIABLE WHITE
						0	OFF
						1-255	3,200K - 5,800K (0=3,200K - 255=5,800K) [127]
				3	4		SHUTTER / STROBE
						0-31	LEDs OFF
						32-63	LEDs ON
						64-95	Strobe Effect SLOW to FAST
						96-127	LEDs ON
						128-159	Pulse Effect SLOW to FAST
						160-191	LEDs ON
						192-223	Random Strobe SLOW to FAST
						224-255	LED ON [255]
2	3	2	3	4	5		MASTER DIMMER INTENSITY
						0-255	Intensity 0 to 100% [0]
		3	4	5	6		MASTER DIMMER INTENSITY FINE
						0-255	Dimmer Intensity FINE Adjustment [0]
		4	5	6	7		DIMMER CURVES
						0-20	STANDARD [20]
						21-40	STAGE
						41-60	TV
						61-80	ARCHITECTURAL
						81-100	THEATRE
						101-255	DEFAULT to UNIT CURVE SETTING

CLEANING AND MAINTENANCE



C A U T I O N

Disconnect power before cleaning or maintenance.

CLEANING

Frequent cleaning is recommended to insure proper function, optimized light output, and an extended life. The frequency of cleaning depends on the environment in which the fixture operates: damp, smoky or particularly dirty environments can cause greater accumulation of dirt on the fixture's optics.

- Clean the external lens surface at least every 20 days with a soft cloth to avoid dirt/debris accumulation. NEVER use alcohol, solvents, or ammonia based cleaners.

MAINTENANCE

Regular inspections are recommended to insure proper function and extended life. There are no user serviceable parts inside this fixture, please refer all other service issues to an authorized Elation service technician. Should you need any spare parts, please order genuine parts from your local Elation dealer.

Please refer to the following points during routine inspections:

- A detailed check by an approved electrical engineer every three months, to make sure the circuit contacts are in good condition and prevent overheating.
- Ensure all screws and fasteners are securely tightened at all times. Loose screws may fall out during normal operation resulting in damage or injury as larger parts could fall.
- Check for any deformations on the housing, color lenses, rigging hardware and rigging points (ceiling, suspension, trussing). Deformations in the housing could allow for dust to enter into the fixture. Damaged rigging points or unsecured rigging could cause the fixture to fall and seriously injure a person(s).
- Electric power supply cables must not show any damage, material fatigue or sediments. Never remove the ground prong from the power cable.

TECHNICAL SPECIFICATIONS

SOURCE

480 Cool White + 480 Warm White LEDs
20,000 Hour Average LED Life*

*May vary depending on several factors including but not limited to:
Environmental Conditions, Power/Voltage, Usage Patterns (On-Off Cycling), Control, and Dimming.

EFFECTS

Selectable 16-Bit Dimming Curves and Electronic Strobe
Linear Variable White Color Temp Presets (3,200K - 5,800K)

COLOR

Cool White / Warm White

CONTROL / CONNECTIONS

(6) DMX Channel Modes (7 Total Channels)
4 Button Control Panel
2 Rotary Control Dials (Dimmer and Color Temperature)
Adjustable Refresh Rate (900-25,000 Hz)
Adjustable Gamma Brightness (2.0-2.8)
180° Reversible LCD Menu Display
5pin DMX In/Out
RJ45 etherCON In (Art-NET)
powerCON TRUE1In

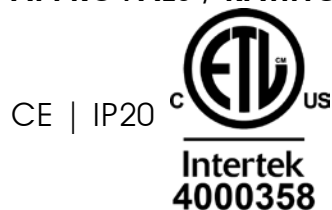
SIZE / WEIGHT (w/barn doors attached)

Length: 34.3 (871.8mm)
Width: 12.7" (321.4mm)
Vertical Height: 27.2" (691.2mm)
Weight: 28.0 lbs. (12.7 kg)

ELECTRICAL / THERMAL

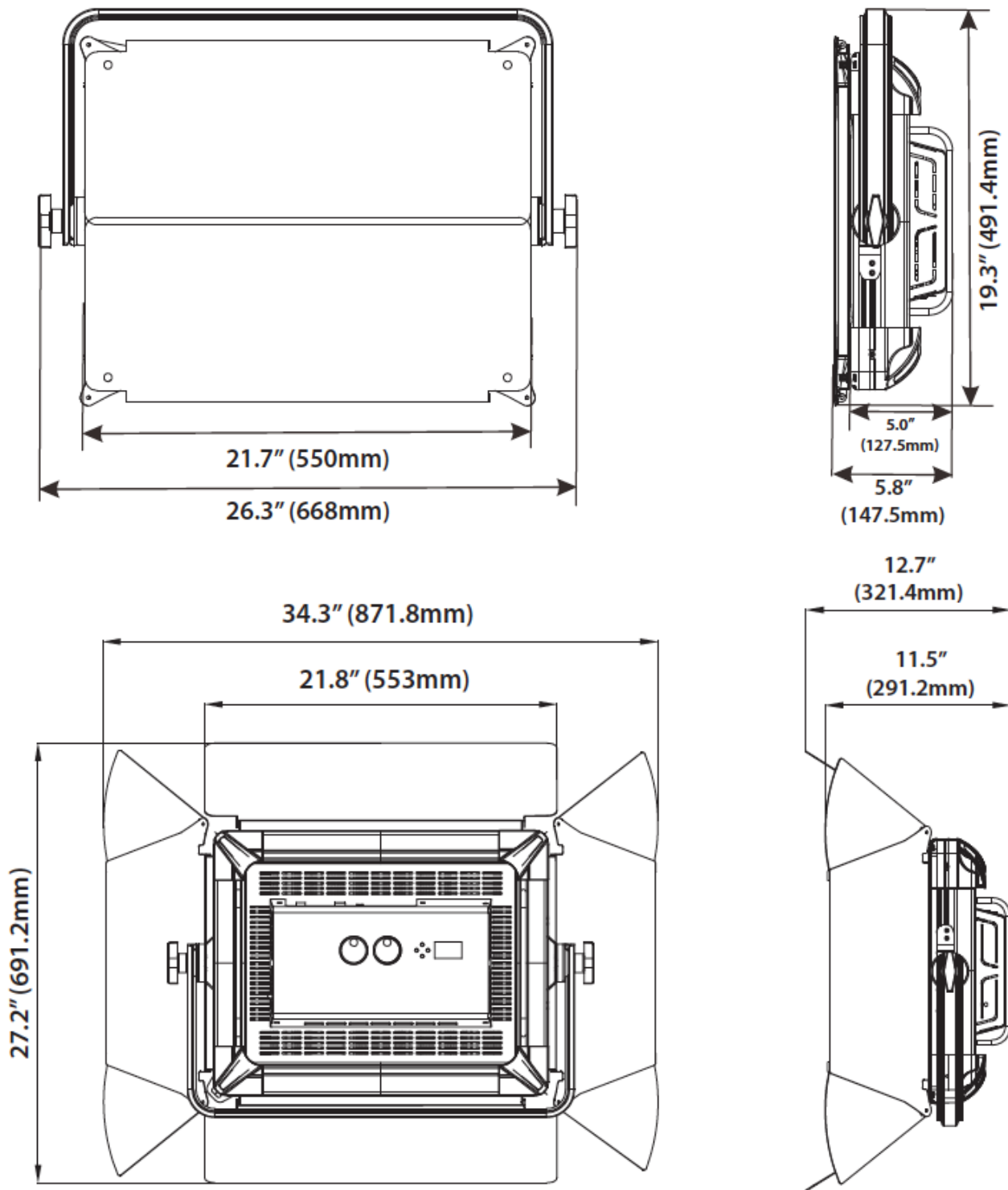
AC 100-240V - 50/60Hz
199W Max Power Consumption
Max Ambient Temperature 104°F (40°C)

APPROVALS / RATINGS



Please Note: Specifications and improvements in the design of this unit and this manual are subject to change without any prior written notice.

DIMENSIONAL DRAWINGS



Please Note: Specifications and improvements in the design of this unit and this manual are subject to change without any prior written notice.

OPTIONAL ACCESSORIES

ORDER CODE	ITEM
TVL495	SNAPGRID 40° Light Control Grid
NARROW CLAMP	Heavy Duty Wrap Around Clamp
SCABLE60	24" (610mm) 60 lbs. (27 kg) Rated Safety Cable
AC5PDMX5PRO	5 ft. (1.5m) 5pin PRO DMX Cable
CAT005	5' (1.5m) CAT6 etherCON Cable
	Additional Cable Lengths Available