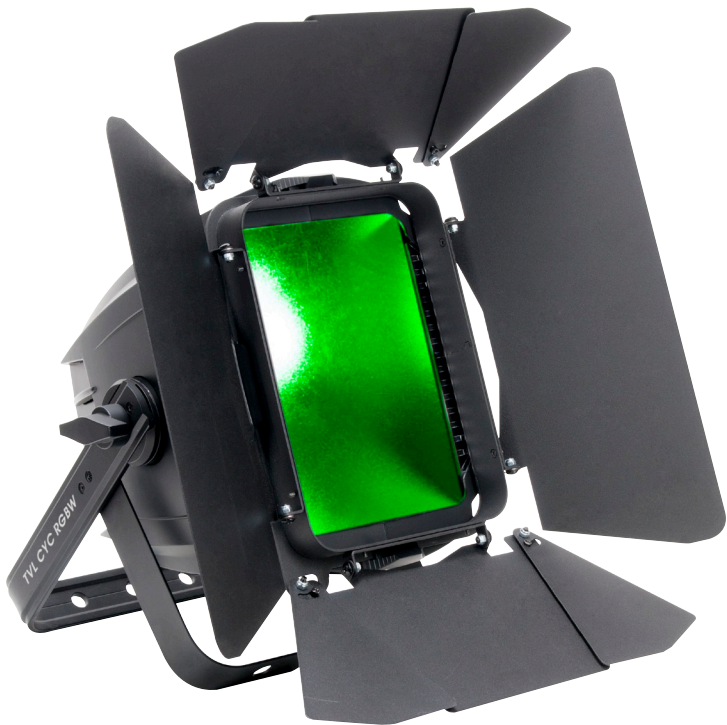




TVL CYC RGBW™

SKU# **TVL280**

The new TVL CYC RGBW™ theatre-style cyclorama wall wash luminaire that delivers a smooth and even field of seamlessly blended colors onto cycloramas, backcloths, scenery or any surface. Features include an energy-efficient 150W RGBW COB LED engine, a 90° x 113° elliptical beam angle, 8-leaf adjustable/removable barn doors, 64 internal color macros, smooth color mixing and dimming, linear variable white color temperature presets (7200K - 3200K), variable LED refresh rate frequency and gamma brightness, selectable dimming curve and strobe effects, 5pin DMX and powerCON in/out connections, (4) button control panel, 180° reversible LCD menu display, 170W max power consumption, multiple unit power linking, and a multi-voltage universal auto switching power supply (100-240v).



FEATURES

150W RGBW COB LED

90° x 113° Elliptical Beam Angle

64 Internal Color Macros

Smooth Color Mixing and 16bit Dimming

Variable LED Refresh Rate Frequency

Variable LED Gamma Brightness

Flicker Free Operation for TV and FILM

Selectable Dimming Curve and Strobe Effects

Linear Variable White Color Temp Presets (7200K - 3200K)

8-Leaf Adjustable/Removable Barn Door Included



PRODUCT SPECIFICATIONS

SOURCE

150W RGBW COB LED
 20,000 Hour Average LED Life*

*May vary depending on several factors including but not limited to: Environmental Conditions, Power/Voltage, Usage Patterns (On-Off Cycling), Control and Dimming.

PHOTOMETRIC DATA (Full ON)

3,536 LUX 328 FC @3.3' (1m)

EFFECTS

64 Internal Color Macros
 Smooth Color Mixing and 16bit Dimming
 Variable LED Refresh Rate Frequency
 Variable LED Gamma Brightness
 Selectable Dimming Curves and Electronic Strobe
 Linear Variable White Color Temp Presets (7200K - 3200K)

COLOR

RGBW Color Mixing

CONTROL / CONNECTIONS

(6) DMX Channel Modes (4 / 6 / 7 / 8 / 10 / 14)
 4 Button Control Panel
 180° Reversible LCD Menu Display
 5pin DMX In/Out
 powerCON Power In/Out

SIZE / WEIGHT

Length: 16.7 (425mm)
 Width: 14.3" (364mm)
 Vertical Height: 16.5" (419mm)
 Weight: 13.0 lbs. (5.9 kg)

ELECTRICAL / THERMAL

AC 100-240V - 50/60Hz
 170W Max Power Consumption
 Multiple Units Power Linkable
 5F to 113°F (-15°C to 45°C)

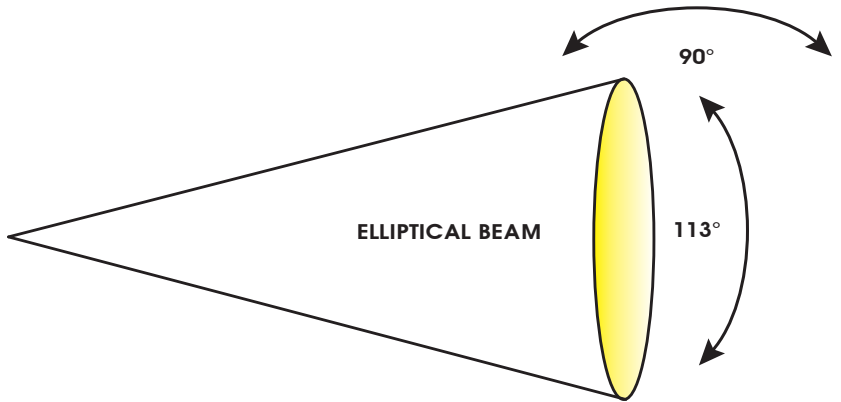
APPROVALS / RATINGS



IP20

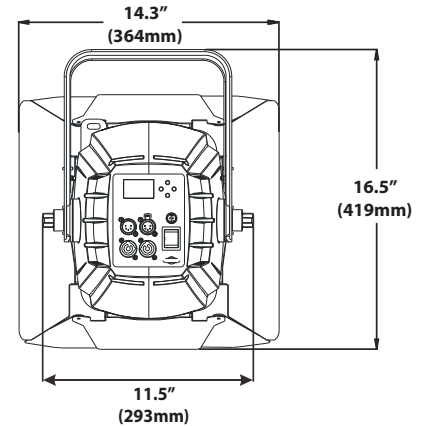
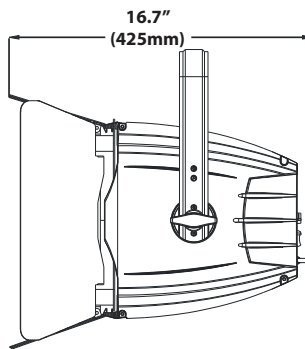


PHOTOMETRIC DATA



Beam Diameter	1 m	3.3 ft	2 m	6.6 ft	3 m	9.8 ft	4 m	13.1 ft	5 m	16.4 ft
	lux	fc	lux	fc	lux	fc	lux	fc	lux	fc
FULL ON	3,536	328	970	90	400	37	221	21	145	13

DIMENSIONAL DIAGRAMS



OPTIONAL ACCESSORIES

ORDER CODE	ITEM
TRIGGER CLAMP	Heavy Duty Wrap Around Hook Style Clamp
EWDMSYSTEM	Wireless DMX System (1 Transmitter, 1 Receiver)
PLC3	3' (1m) PowerCON PRO Link Cable
AC5PDMX5PRO	5 ft. (1.5m) 5pin PRO DMX Cable
	Additional cable lengths available



Specifications are subject to change without notice ©Elation Professional 06/09/17

Elation Professional USA | 6122 S. Eastern Ave. | Los Angeles, CA. 90040
 323-582-3322 | 323-832-9142 fax | www.elationlighting.com | info@elationlighting.com

Elation Professional B.V. | Junostraat 2 | 6468 EW Kerkrade, The Netherlands
 +31 45 546 85 66 | +31 45 546 85 96 fax | www.elationlighting.eu | info@elationlighting.eu