



TVL1000 II™

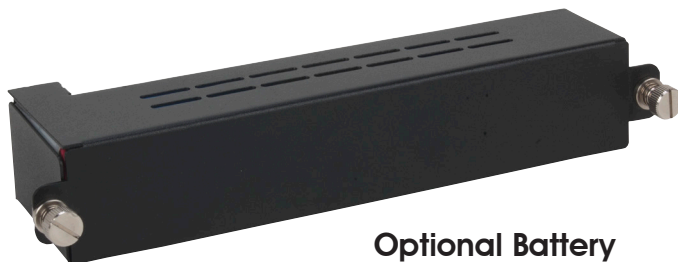
SKU# TVL613

The new improved TVL1000 II™ features a low heat, >90CRI, dynamic LED array panel consisting of 200 warm white and 200 cool white LEDs, 30° beam angle, variable manual and DMX controlled color temperature (3,200K - 6,500K) and dimming, adjustable barn doors, magnetic gel/diffuser holder, flicker free operation for broadcast TV and FILM, 3 and 5 pin DMX in/out and linkable power in/out connections, (4) button (2) dial LCD display control panel, 68W max power consumption, a multi-voltage universal auto switching power supply (100-240v), and an optional battery is available.



FEATURES

- Low Heat, >90CRI, Dynamic LED Array Panel (200) Warm White and (200) Cool White LEDs**
- 30° Beam Angle**
- Variable Color Temperature (3,200K - 6,500K)**
- Adjustable Barn Doors**
- Magnetic Gel/Diffuser Holder**
- Manual and DMX Controlled Color Temp and Dimming**
- Flicker Free Operation for Broadcast TV and FILM**
- Multiple Unit Power Linking**
- 68W Max Power Consumption**
- Optional Battery Available**



Optional Battery

Specifications are subject to change without notice ©Elation Professional 07/31/16

Elation Professional USA | 6122 S. Eastern Ave. | Los Angeles, CA. 90040
323-582-3322 | 323-832-9142 fax | www.elationlighting.com | info@elationlighting.com

Elation Professional B.V. | Junostraat 2 | 6468 EW Kerkrade, The Netherlands
+31 45 546 85 66 | +31 45 546 85 96 fax | www.elationlighting.eu | info@elationlighting.eu

PRODUCT SPECIFICATIONS

SOURCE

(200) Warm White + (200) Cool White LEDs

PHOTOMETRIC DATA

340 LUX 32 FC @6.6' (2M) (30° Warm White 3,200K)
 420 LUX 39 FC @6.6' (2M) (30° Cool White 6,500K)
 600 LUX 56 FC @6.6' (2M) (30° Full On 4,500-5,000K)

EFFECTS

Variable Color Temperature (3,200K - 6,500K)
 Electronic Dimming (0% - 100%)

CONTROL / CONNECTIONS

(3) DMX Channel Modes (2 / 2 / 3)
 Manual and DMX Color Temperature and Dimming
 (4) Button and (2) Dial Control Panel
 LCD Menu Display
 3pin and 5pin DMX In/Out
 Power Link Up To (5) Units

SIZE / WEIGHT

Length: 15.9" (406mm)
 Width: 13.7" (350mm)
 Vertical Height: 4.4" (113mm)
 Weight: 13.6 lbs. (6.2 kg)

ELECTRICAL / THERMAL

AC 100-240V - 50/60Hz
 68W Max Power Consumption
 TA: 40°C Max Ambient Temperature

INCLUDED ITEMS

90° Dual / Yoke Bracket
 Power Cable

APPROVALS / RATINGS

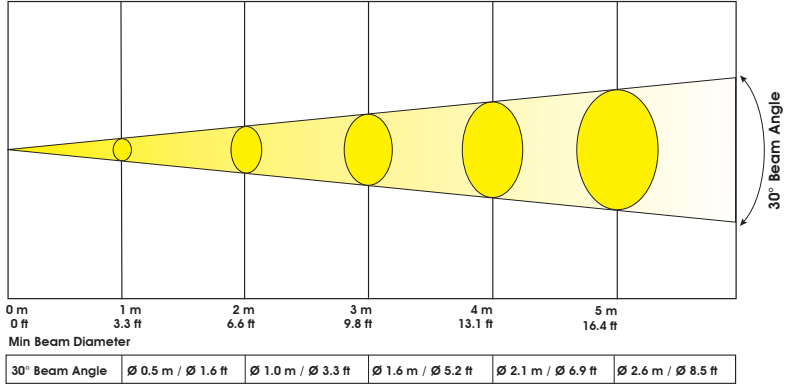


Magnetic Gel/Diffuser Holder

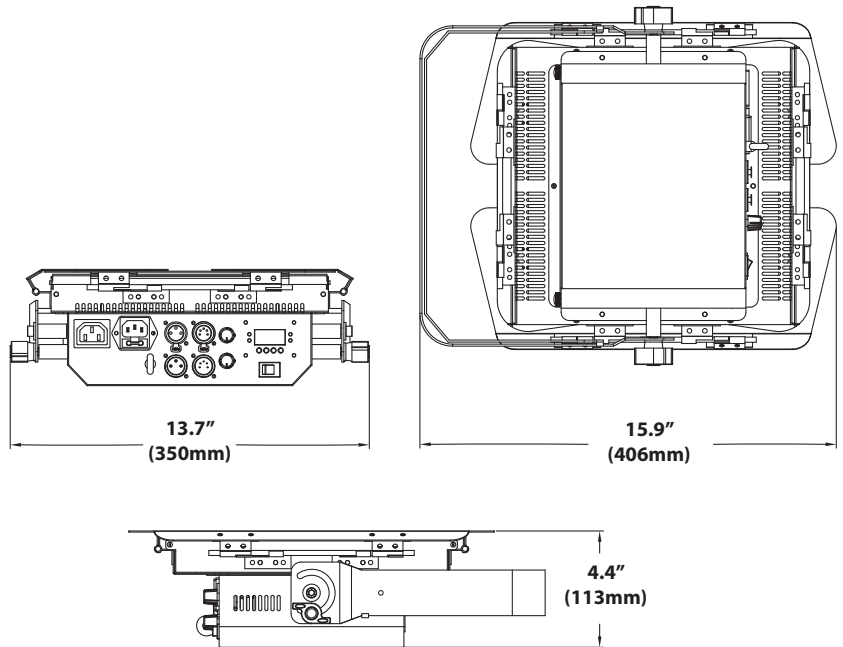
PHOTOMETRIC DATA

WARM WHITE (3200K)	111 FC / 1200 LUX	32 FC / 340 LUX	15 FC / 160 LUX	9 FC / 95 LUX	6 FC / 66 LUX
COOL WHITE (6500K)	143 FC / 1540 LUX	39 FC / 420 LUX	19 FC / 200 LUX	11 FC / 116 LUX	10 FC / 110 LUX
FULL ON (4500-5000K)	204 FC / 2200 LUX	56 FC / 600 LUX	25 FC / 270 LUX	15 FC / 160 LUX	8 FC / 85 LUX

LUX x 0.0929 = FC



DIMENSIONAL DIAGRAMS



OPTIONAL ACCESSORIES

ORDER CODE	ITEM
TRIGGER CLAMP	Heavy Duty Wrap Around Hook Clamp
TVL975	TLV1000 BATTERY
LSF536	Light Shaping Filter 30° 20" x 24" Sheet
LSF537	Light Shaping Filter 20° 20" x 22" Sheet
LSF538	Light Shaping Filter 60° x 1° 20" x 24" Sheet
LSF559	Light Shaping Filter 10° 20" x 24" Sheet
ECCOM-10	Power Link Cables
AC3PDMX10PRO	10 ft. (3m) 3pin PRO DMX Cable
AC5PDMX10PRO	10 ft. (3m) 5pin PRO DMX Cable
	Additional cable lengths available