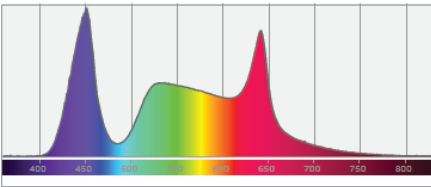
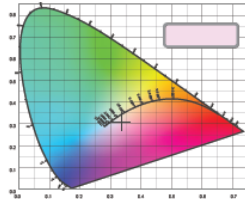


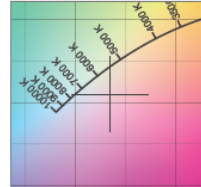
**Spectral distribution**



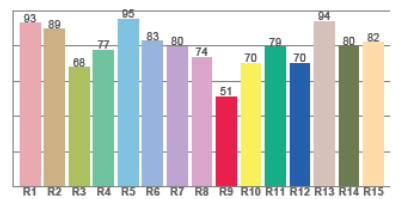
**Color coordinates**



**Zoom color point**



**CRI R values**



# Photometric Test Report

\*Due to additional product enhancements, an updated version of this report may be available online. Please check [www.adj.com](http://www.adj.com) for the latest revision/update of this report.



Light efficiency:

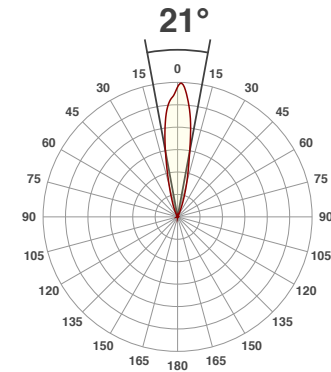
30 Lumen/Watt

Light quality:

CRI: 0.0

Color temperature:

0 K

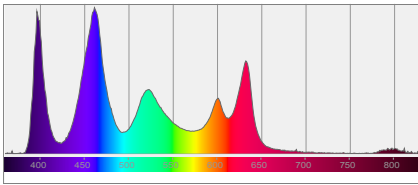


Product name:  
**Element Hex (Full On)**  
**UNSTABLE**

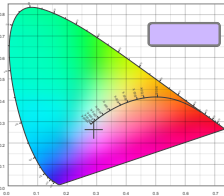
Test:  
**Element Hex (Full On)**  
Date:

Output: 1041 lm Power consumption: 34.2 W Peak: 6087 cd

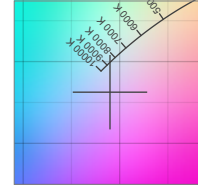
Spectral distribution



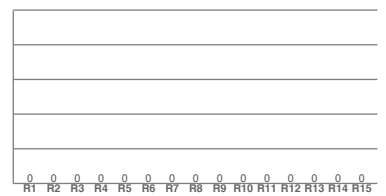
Color coordinates



Zoom color point

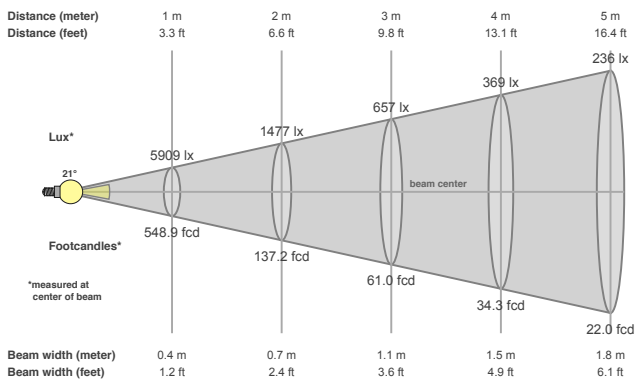


CRI R values



Color temperature	Color rendering index	Red component	Color fidelity	Color gamut	Color quality scale	Color coordinate cie 1931	Color coordinate cie 1931	Color coordinate	Color coordinate	Color divition from black body
CCT	CRI	CRI R9	TM30 Rf	TM30 Rg	CQS	x	y	u	v	Δuv
0 K	0.0	0.0	0.0	0.0	0.0	0.290	0.263	0.208	0.283	n/a

### Beam details



### Beam angels

Beam angle 50%	Field angle 10%	Cutoff angle 2,5%
21°	40.4°	52.3°

### Beam intensities

Peak intensity	Int. ratio in 120° cone	Int. ratio in 90° cone
6087 cd	1.0%	1.0%

### Power

Power	Power factor	Power frequency
34.2 W	0.66	60 Hz

Nominal voltage	Voltage	Current
230 V	116 V	0.447 A

### Beam intensities from 1-20m

1m	2m	3m	4m	5m	6m	7m	8m	9m	10m	11m	12m	13m	14m	15m	16m	17m	18m	19m	20m
3.3ft	6.6ft	9.8ft	13.1ft	16.4ft	19.7ft	23ft	26.2ft	29.5ft	32.8ft	36.1ft	39.4ft	42.7ft	45.9ft	49.2ft	52.5ft	55.8ft	59.1ft	62.3ft	65.6ft
5909lx	1477lx	657lx	369lx	236lx	164lx	121lx	92lx	73lx	59lx	49lx	41lx	35lx	30lx	26lx	23lx	20lx	18lx	16lx	15lx
548.9fcd	137.2fcd	61fcd	34.3fcd	22fcd	15.2fcd	11.2fcd	8.6fcd	6.8fcd	5.5fcd	4.5fcd	3.8fcd	3.2fcd	2.8fcd	2.4fcd	2.1fcd	1.9fcd	1.7fcd	1.5fcd	1.4fcd



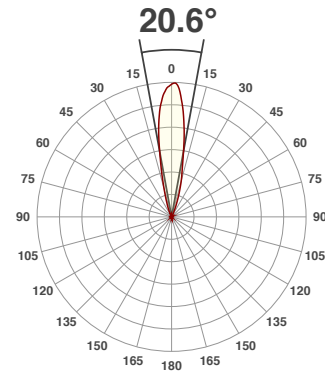
Light efficiency:



Light quality:



Color temperature:



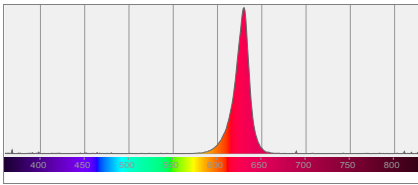
Product name:  
**Element Hex**

Test:  
**Element Hex (Red)**

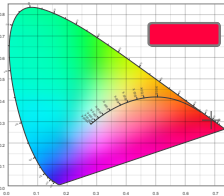
Date:  
**6/22/2017**

Output: 177 lm Power consumption: 6.1 W Peak: 942 cd

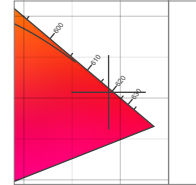
Spectral distribution



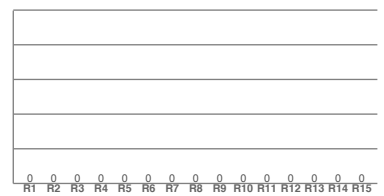
Color coordinates



Zoom color point

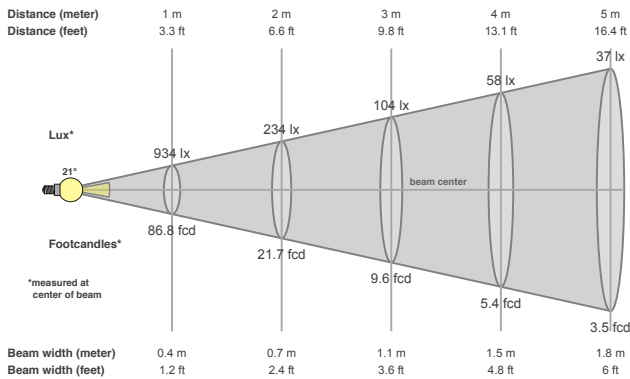


CRI R values



Color temperature	Color rendering index	Red component	Color fidelity	Color gamut	Color quality scale	Color coordinate cie 1931	Color coordinate cie 1931	Color coordinate	Color coordinate	Color divition from black body
CCT	CRI	CRI R9	TM30 Rf	TM30 Rg	CQS	x	y	u	v	Δuv
0 K	0.0	0.0	0.0	0.0	0.0	0.688	0.307	0.518	0.347	n/a

**Beam details**



**Beam angels**

Beam angle 50%	Field angle 10%	Cutoff angle 2,5%
20.6°	40.1°	51.4°

**Beam intensities**

Peak intensity	Int. ratio in 120° cone	Int. ratio in 90° cone
942 cd	0.9%	0.9%

**Power**

Power	Power factor	Power frequency
6.1 W	0.53	60 Hz

Nominal voltage	Voltage	Current
230 V	116 V	0.100 A

**Beam intensities from 1-20m**

1m	2m	3m	4m	5m	6m	7m	8m	9m	10m	11m	12m	13m	14m	15m	16m	17m	18m	19m	20m
3.3ft	6.6ft	9.8ft	13.1ft	16.4ft	19.7ft	23ft	26.2ft	29.5ft	32.8ft	36.1ft	39.4ft	42.7ft	45.9ft	49.2ft	52.5ft	55.8ft	59.1ft	62.3ft	65.6ft
934lx	234lx	104lx	58lx	37lx	26lx	19lx	15lx	12lx	9lx	8lx	6lx	6lx	5lx	4lx	4lx	3lx	3lx	3lx	2lx
86.8fcd	21.7fcd	9.6fcd	5.4fcd	3.5fcd	2.4fcd	1.8fcd	1.4fcd	1.1fcd	0.9fcd	0.7fcd	0.6fcd	0.5fcd	0.4fcd	0.4fcd	0.3fcd	0.3fcd	0.3fcd	0.2fcd	0.2fcd



Light efficiency:

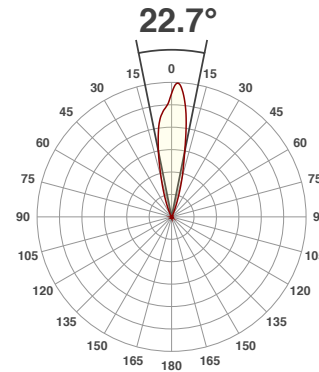
49 Lumen/Watt

Light quality:

CRI: 0.0

Color temperature:

0 K



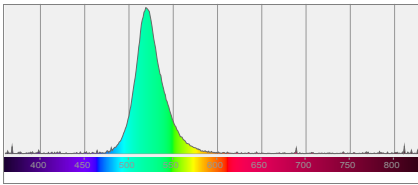
Product name:  
**Element Hex**

Test:  
**Element Hex (Green)**

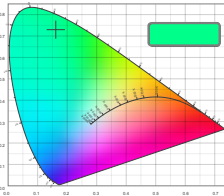
Date:  
**6/22/2017**

Output: 353 lm Power consumption: 7.2 W Peak: 1756 cd

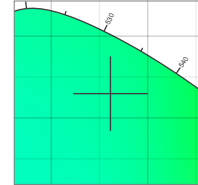
Spectral distribution



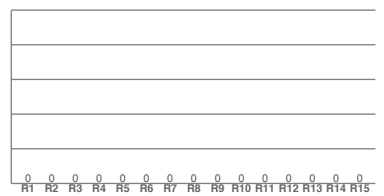
Color coordinates



Zoom color point

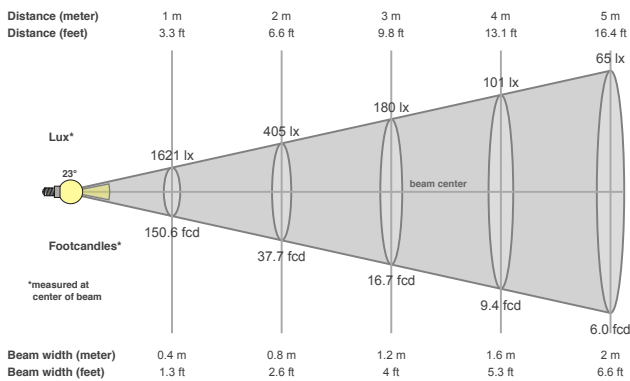


CRI R values



Color temperature	Color rendering index	Red component	Color fidelity	Color gamut	Color quality scale	Color coordinate cie 1931	Color coordinate cie 1931	Color coordinate	Color coordinate	Color divition from black body
CCT	CRI	CRI R9	TM30 Rf	TM30 Rg	CQS	x	y	u	v	Δuv
0 K	0.0	0.0	0.0	0.0	0.0	0.161	0.730	0.056	0.383	n/a

### Beam details



### Beam angels

Beam angle 50%	Field angle 10%	Cutoff angle 2,5%
22.7°	41.9°	53.5°

### Beam intensities

Peak intensity	Int. ratio in 120° cone	Int. ratio in 90° cone
1756 cd	0.9%	0.9%

### Power

Power	Power factor	Power frequency
7.2 W	0.55	60 Hz

Nominal voltage	Voltage	Current
230 V	116 V	0.114 A

### Beam intensities from 1-20m

1m	2m	3m	4m	5m	6m	7m	8m	9m	10m	11m	12m	13m	14m	15m	16m	17m	18m	19m	20m
3.3ft	6.6ft	9.8ft	13.1ft	16.4ft	19.7ft	23ft	26.2ft	29.5ft	32.8ft	36.1ft	39.4ft	42.7ft	45.9ft	49.2ft	52.5ft	55.8ft	59.1ft	62.3ft	65.6ft
1621lx	405lx	180lx	101lx	65lx	45lx	33lx	25lx	20lx	16lx	13lx	11lx	10lx	8lx	7lx	6lx	6lx	5lx	4lx	4lx
150.6fcd	37.7fcd	16.7fcd	9.4fcd	6fcd	4.2fcd	3.1fcd	2.4fcd	1.9fcd	1.5fcd	1.2fcd	1fcd	0.9fcd	0.8fcd	0.7fcd	0.6fcd	0.5fcd	0.5fcd	0.4fcd	0.4fcd





Light efficiency:

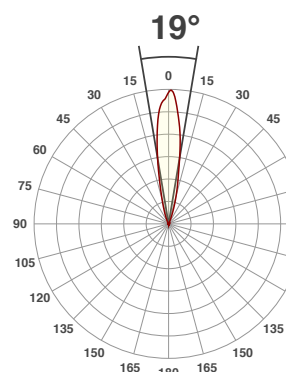
59 Lumen/Watt

Light quality:

CRI: 72.2

Color temperature:

6909 K



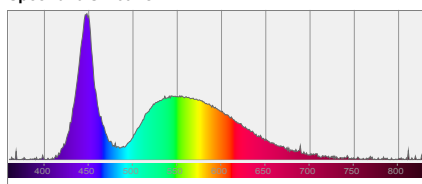
Product name:  
**Element Hex**

Test:  
**Element Hex (White)**

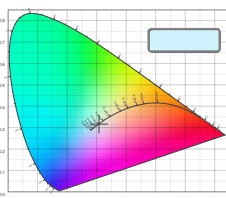
Date:  
**6/22/2017**

Output: 436 lm Power consumption: 7.3 W Peak: 2866 cd

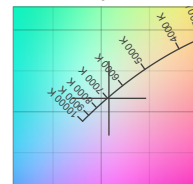
Spectral distribution



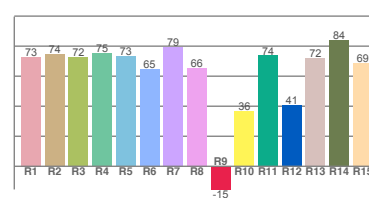
Color coordinates



Zoom color point

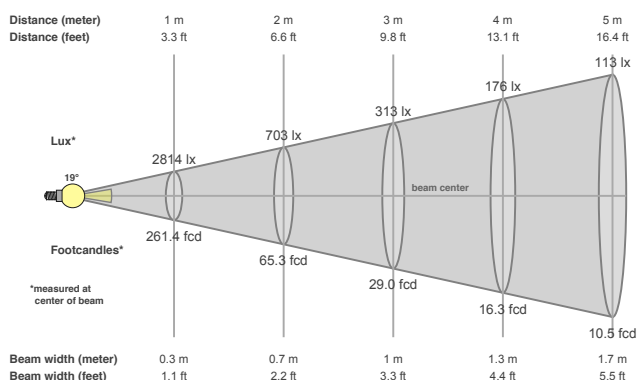


CRI R values



Color temperature	Color rendering index	Red component	Color fidelity	Color gamut	Color quality scale	Color coordinate cie 1931	Color coordinate cie 1931	Color coordinate	Color coordinate	Color divition from black body
CCT	CRI	CRI R9	TM30 Rf	TM30 Rg	CQS	x	y	u	v	Δuv
6909 K	72.2	-15.4	67.5	95.5	69.2	0.308	0.316	0.199	0.307	0.0041

### Beam details



### Beam angles

Beam angle 50%	Field angle 10%	Cutoff angle 2,5%
19°	37.5°	49.4°

### Beam intensities

Peak intensity	Int. ratio in 120° cone	Int. ratio in 90° cone
2866 cd	0.9%	0.9%

### Power

Power	Power factor	Power frequency
7.3 W	0.55	60 Hz

Nominal voltage	Voltage	Current
230 V	116 V	0.115 A

### Beam intensities from 1-20m

1m	2m	3m	4m	5m	6m	7m	8m	9m	10m	11m	12m	13m	14m	15m	16m	17m	18m	19m	20m
3.3ft	6.6ft	9.8ft	13.1ft	16.4ft	19.7ft	23ft	26.2ft	29.5ft	32.8ft	36.1ft	39.4ft	42.7ft	45.9ft	49.2ft	52.5ft	55.8ft	59.1ft	62.3ft	65.6ft
2814lx	703lx	313lx	176lx	113lx	78lx	57lx	44lx	35lx	28lx	23lx	20lx	17lx	14lx	13lx	11lx	10lx	9lx	8lx	7lx
261.4fcd	65.3fcd	29fcd	16.3fcd	10.5fcd	7.3fcd	5.3fcd	4.1fcd	3.2fcd	2.6fcd	2.2fcd	1.8fcd	1.5fcd	1.3fcd	1.2fcd	1fcd	0.9fcd	0.8fcd	0.7fcd	0.7fcd



Light efficiency:

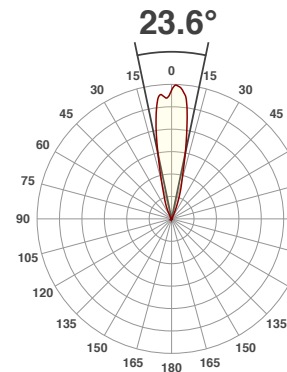
**33 Lumen/Watt**

Light quality:

**CRI: -21.5**

Color temperature:

**1494 K**



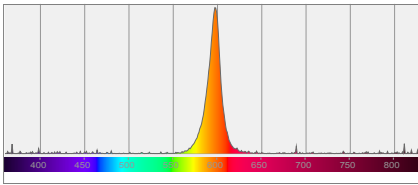
Product name:  
**Element Hex**

Test:  
**Element Hex (Amber)**

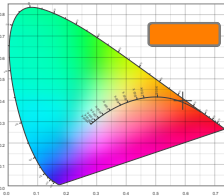
Date:  
**6/22/2017**

Output: 201 lm Power consumption: 6.2 W Peak: 739 cd

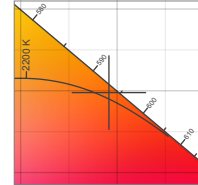
Spectral distribution



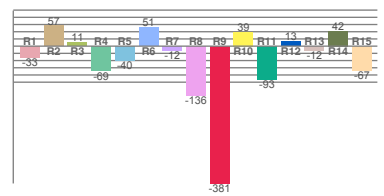
Color coordinates



Zoom color point

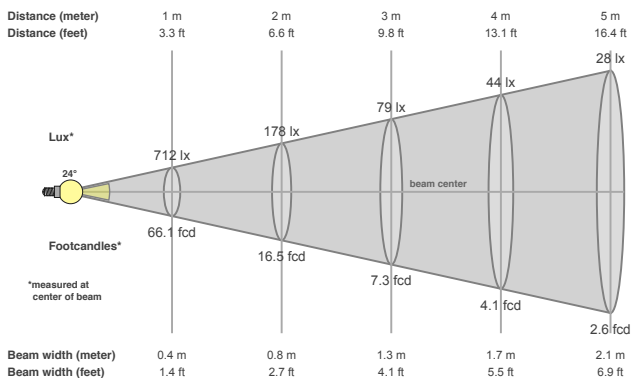


CRI R values



Color temperature	Color rendering index	Red component	Color fidelity	Color gamut	Color quality scale	Color coordinate cie 1931	Color coordinate cie 1931	Color coordinate	Color coordinate	Color diviation from black body
CCT	CRI	CRI R9	TM30 Rf	TM30 Rg	CQS	x	y	u	v	Δuv
1494 K	-21.5	-381.0	4.5	20.7	8.7	0.591	0.398	0.359	0.362	0.0019

### Beam details



### Beam angles

Beam angle 50%	Field angle 10%	Cutoff angle 2,5%
23.6°	44.7°	56.5°

### Beam intensities

Peak intensity	Int. ratio in 120° cone	Int. ratio in 90° cone
739 cd	0.8%	0.8%

### Power

Power	Power factor	Power frequency
6.2 W	0.53	60 Hz

Nominal voltage	Voltage	Current
230 V	116 V	0.101 A

### Beam intensities from 1-20m

1m	2m	3m	4m	5m	6m	7m	8m	9m	10m	11m	12m	13m	14m	15m	16m	17m	18m	19m	20m
3.3ft	6.6ft	9.8ft	13.1ft	16.4ft	19.7ft	23ft	26.2ft	29.5ft	32.8ft	36.1ft	39.4ft	42.7ft	45.9ft	49.2ft	52.5ft	55.8ft	59.1ft	62.3ft	65.6ft
712lx	178lx	79lx	44lx	28lx	20lx	15lx	11lx	9lx	7lx	6lx	5lx	4lx	4lx	3lx	3lx	2lx	2lx	2lx	2lx
66.1fcd	16.5fcd	7.3fcd	4.1fcd	2.6fcd	1.8fcd	1.3fcd	1fcd	0.8fcd	0.7fcd	0.5fcd	0.5fcd	0.4fcd	0.3fcd	0.3fcd	0.3fcd	0.2fcd	0.2fcd	0.2fcd	0.2fcd







Light efficiency:

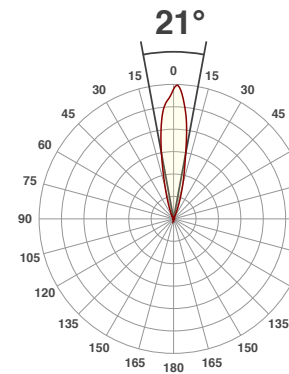
**39 Lumen/Watt**

Light quality:

**CRI: 68.8**

Color temperature:

**9837 K**



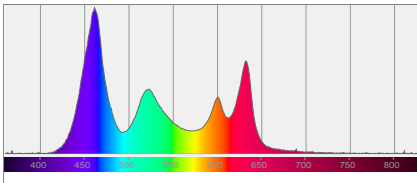
Product name:  
**Element Hex**

Test:  
**Element Hex (Full On No UV)**

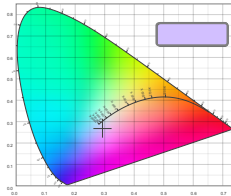
Date:  
**6/22/2017**

Output: 1057 lm Power consumption: 27.2 W Peak: 6098 cd

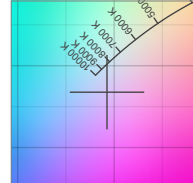
Spectral distribution



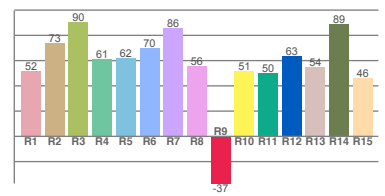
Color coordinates



Zoom color point

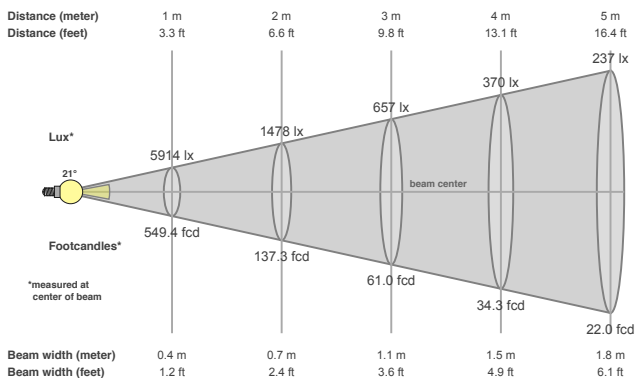


CRI R values



Color temperature	Color rendering index	Red component	Color fidelity	Color gamut	Color quality scale	Color coordinate cie 1931	Color coordinate cie 1931	Color coordinate	Color coordinate	Color deviation from black body
CCT	CRI	CRI R9	TM30 Rf	TM30 Rg	CQS	x	y	u	v	Δuv
9837 K	68.8	-37.3	76.3	108.1	87.1	0.293	0.268	0.208	0.285	0.0224

### Beam details



### Beam angles

Beam angle 50%	Field angle 10%	Cutoff angle 2,5%
21°	40.5°	52.5°

### Beam intensities

Peak intensity	Int. ratio in 120° cone	Int. ratio in 90° cone
6098 cd	1.0%	1.0%

### Power

Power	Power factor	Power frequency
27.2 W	0.62	59.9 Hz

Nominal voltage	Voltage	Current
230 V	116 V	0.376 A

### Beam intensities from 1-20m

1m	2m	3m	4m	5m	6m	7m	8m	9m	10m	11m	12m	13m	14m	15m	16m	17m	18m	19m	20m
3.3ft	6.6ft	9.8ft	13.1ft	16.4ft	19.7ft	23ft	26.2ft	29.5ft	32.8ft	36.1ft	39.4ft	42.7ft	45.9ft	49.2ft	52.5ft	55.8ft	59.1ft	62.3ft	65.6ft
5914lx	1478lx	657lx	370lx	237lx	164lx	121lx	92lx	73lx	59lx	49lx	41lx	35lx	30lx	26lx	23lx	20lx	18lx	16lx	15lx
549.4fcd	137.3fcd	61fcd	34.3fcd	22fcd	15.3fcd	11.2fcd	8.6fcd	6.8fcd	5.5fcd	4.5fcd	3.8fcd	3.3fcd	2.8fcd	2.4fcd	2.1fcd	1.9fcd	1.7fcd	1.5fcd	1.4fcd