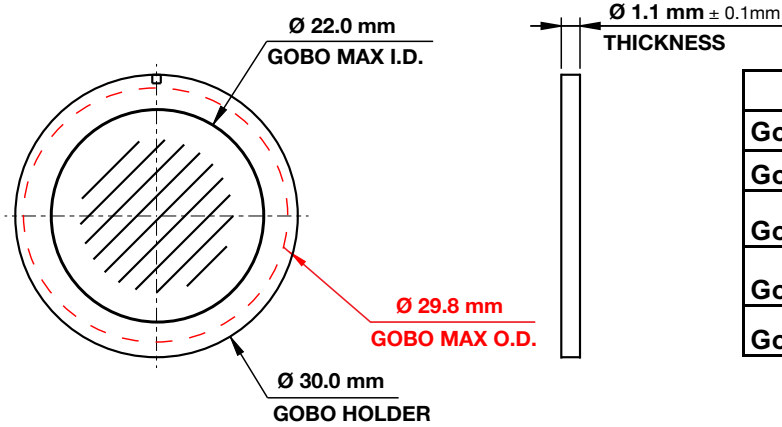


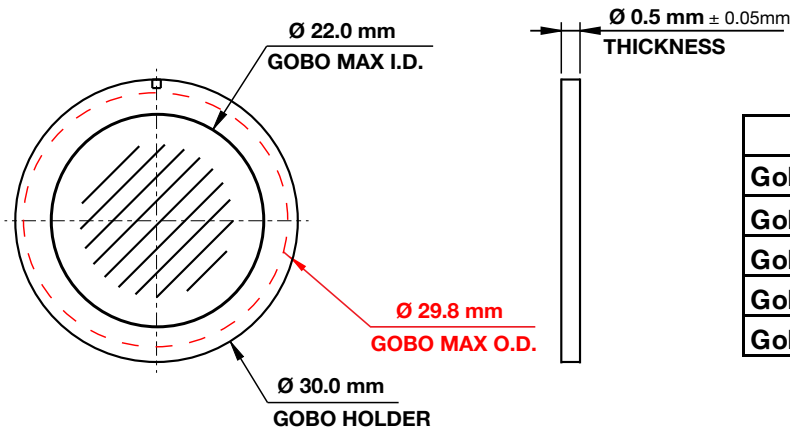
Interchangeable Gobo Specifications

Specifications/designs are subject to change without notice.

Gobo image not to scale - for illustration purposes only.



ROTATING GLASS GOBOS - WHEEL 1	
Gobo O.D. (Max. Outer Diameter)	φ29.8mm
Gobo I.D. (Max. Image Diameter)	φ22mm
Gobo Holder Diameter	φ30mm
Gobo Thickness	1.1mm±0.1mm
Gobo Material	BOROFLOAT



STAIC-FIXED METAL GOBOS - WHEEL 2	
Gobo O.D. (Max. Outer Diameter)	φ29.8mm
Gobo I.D. (Max. Image Diameter)	φ22mm
Gobo Holder Diameter	φ30mm
Gobo thickness	0.5mm±0.05mm
Gobo material	ALUMINUM

*** IMPORTANT NOTICE REGARDING CUSTOM GOBOS ***

Due to the high temperature optical system, special material as listed above is required for custom gobos. Due to varying manufacturing processes and tolerances, it is highly recommended to provide a gobo sample and holder from the fixture to the custom gobo vendor for accurate sizing. Extended testing of custom gobo designs is highly recommended prior to use. Contact ELATION SERVICE for further information.

ELATION SERVICE USA - Monday - Friday 8:00am to 5:00pm PST

Voice: 323-582-3322

Fax: 323-832-9142

E-mail: support@elationlighting.com

ELATION SERVICE EUROPE - Monday - Friday 08:30 to 17:00 CET

Voice: +31 45 546 85 30

Fax: +31 45 546 85 96

E-mail: support@elationlighting.eu

Elation Professional USA | 6122 S. Eastern Ave. | Los Angeles, CA. 90040
323-582-3322 | 323-832-9142 fax | www.elationlighting.com | info@elationlighting.com

Elation Professional B.V. | Junostraat 2 | 6468 EW Kerkrade, The Netherlands
+31 45 546 85 66 | +31 45 546 85 96 fax | www.elationlighting.eu | info@elationlighting.eu