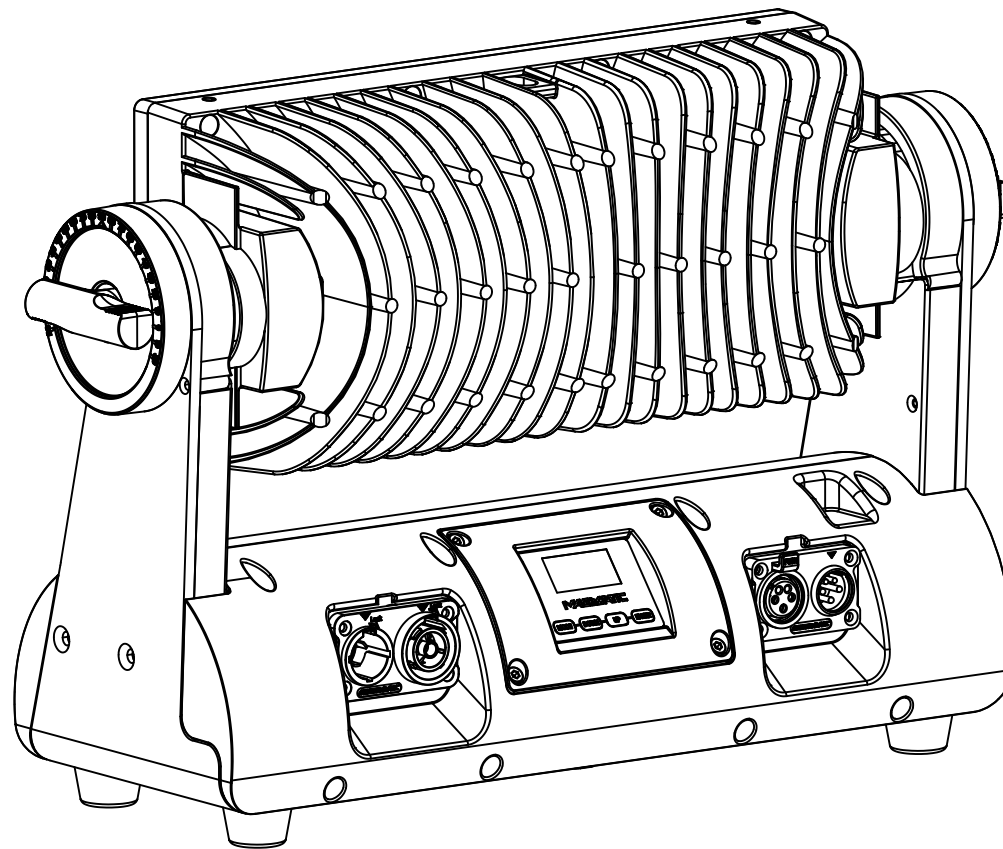
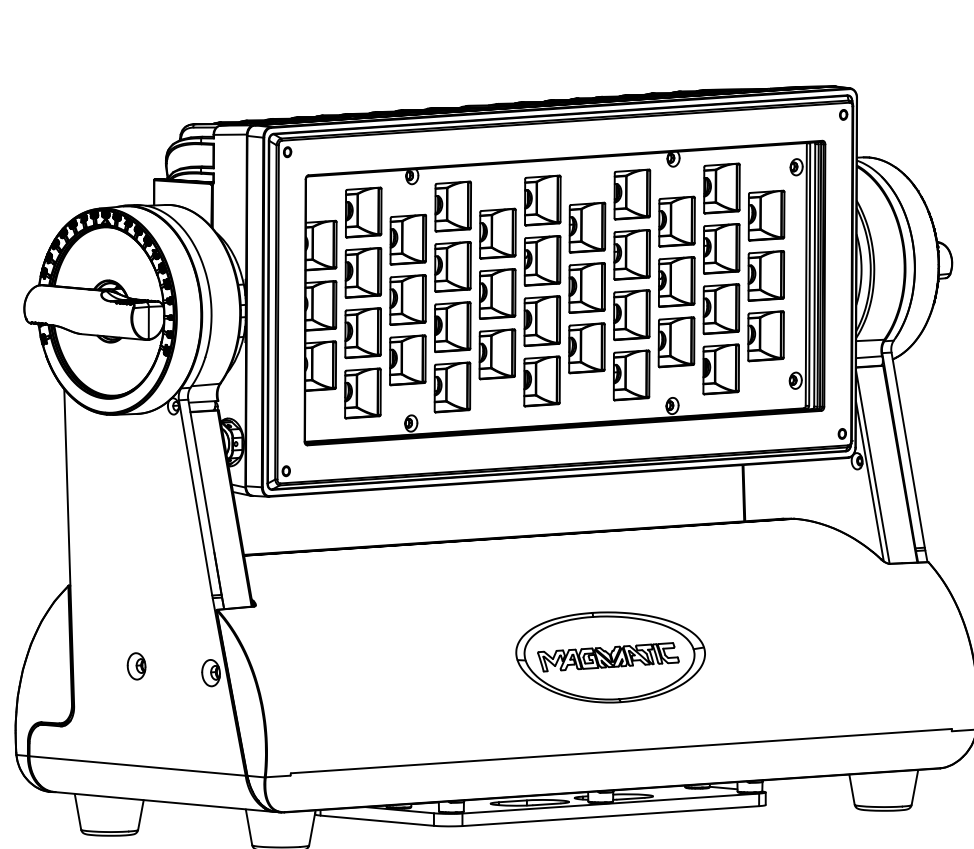
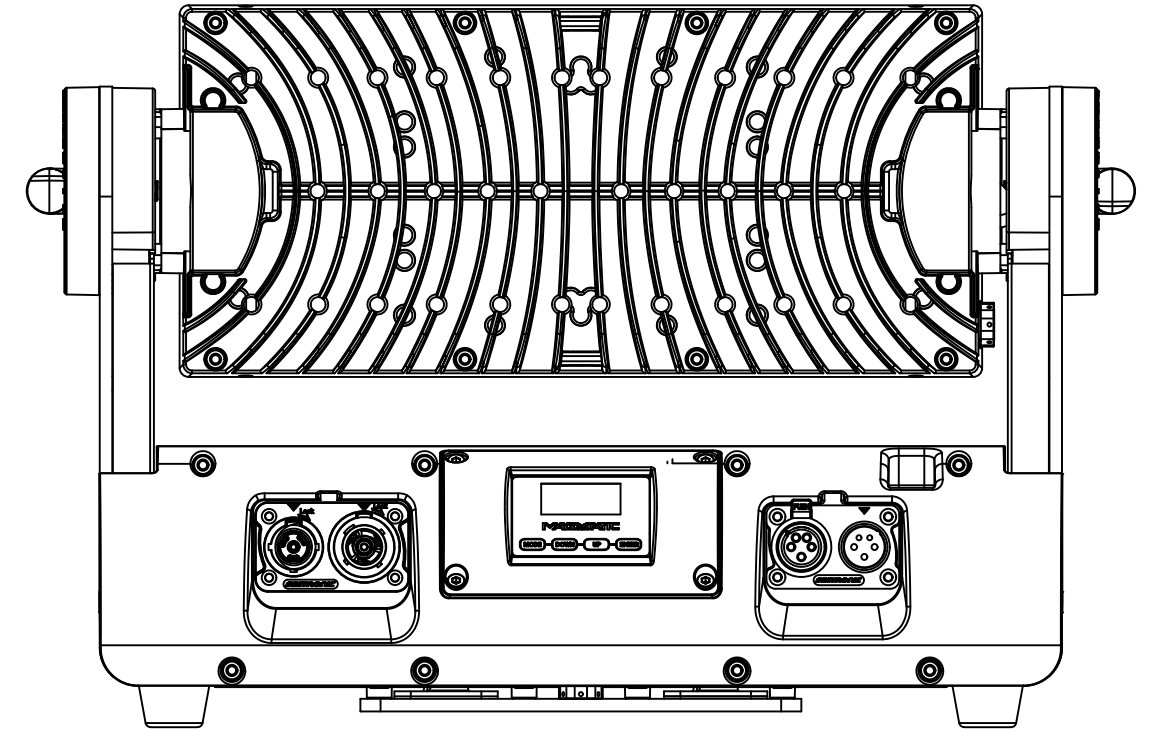
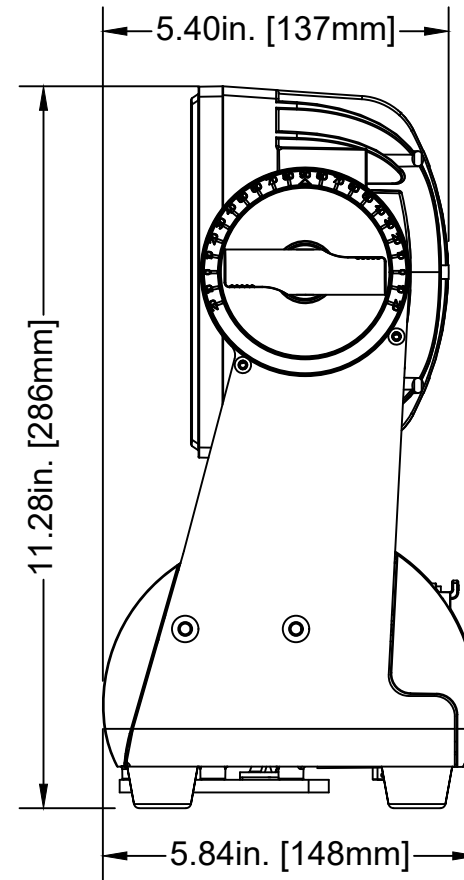
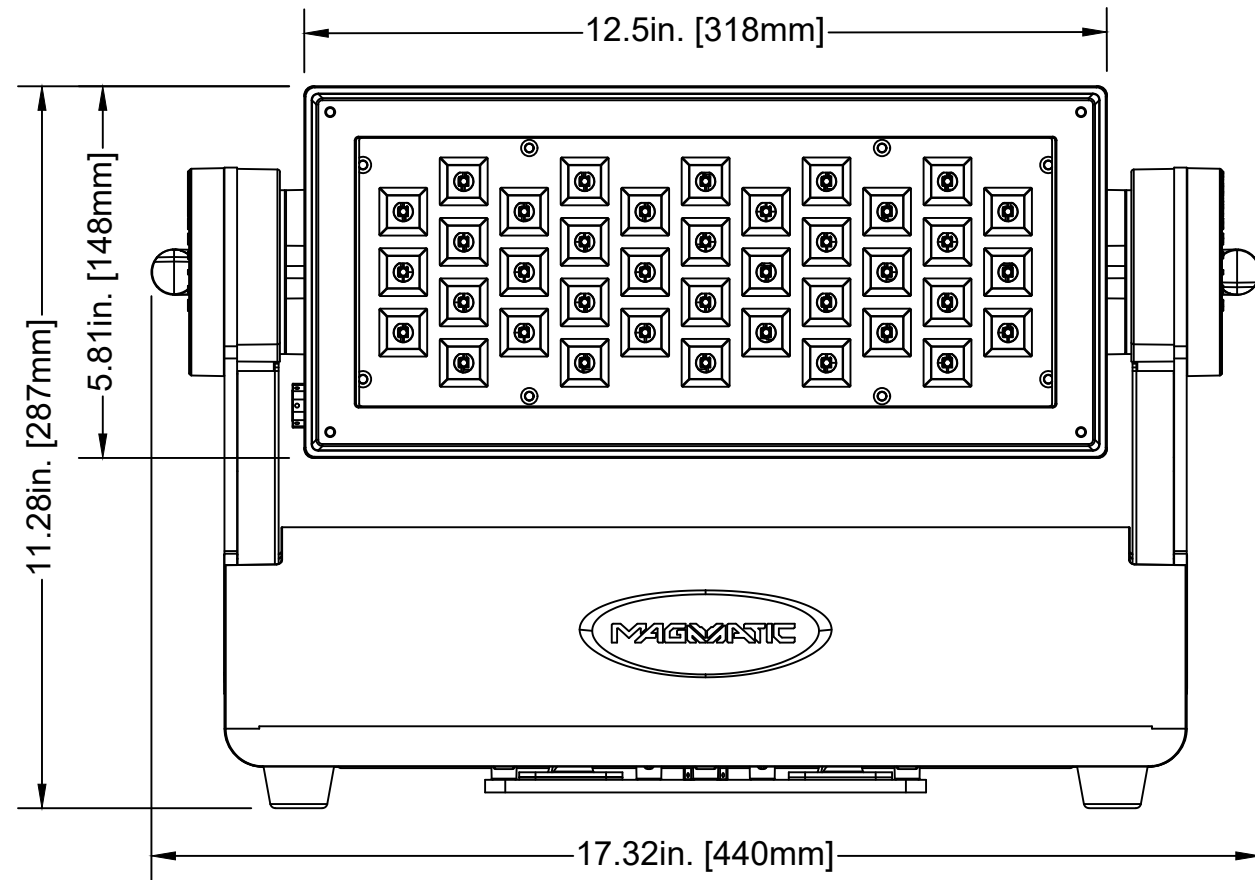


MAGMATIC PROPRIETARY INFORMATION. DO NOT REPRODUCE, COPY, OR USE WITHOUT EXPRESS WRITTEN PERMISSION. COPYRIGHT MAGMATIC.



MAGMATIC

TITLE: MAGMATIC PRISMA WASH 100		DATE: 200520	
SCALE: NONE	TOL: ±	.XX(X) -	.XXX(.XX) -
		ANGLE: -	