

MAGMATIC

Prisma Wash 100



User Manual

©2020 MAGMATIC EFFECTS all rights reserved. Information, specifications, diagrams, images, and instructions herein are subject to change without notice. MAGMATIC EFFECTS logo and identifying product names and numbers herein are trademarks of MAGMATIC EFFECTS. Copyright protection claimed includes all forms and matters of copyrightable materials and information now allowed by statutory or judicial law or hereinafter granted. Product names used in this document may be trademarks or registered trademarks of their respective companies and are hereby acknowledged. All non-MAGMATIC brands and product names are trademarks or registered trademarks of their respective companies.

MAGMATIC EFFECTS and all affiliated companies hereby disclaim any and all liabilities for property, equipment, building, and electrical damages, injuries to any persons, and direct or indirect economic loss associated with the use or reliance of any information contained within this document, and/or as a result of the improper, unsafe, insufficient and negligent assembly, installation, rigging, and operation of this product.

MAGMATIC EFFECTS | 6122 S. Eastern Ave. | Los Angeles, CA. 90040
323-582-3322 | 323-832-9142 fax | www.elationlighting.com | sales@magmaticeffects.com

Elation Professional B.V. | Junostraat 2 | 6468 EW Kerkrade, The Netherlands
[+31 45 546 85 66](tel:+31455468566) | [+31 45 546 85 96](tel:+31455468596) fax | www.elationlighting.eu | info@elationlighting.eu

Elation Professional Mexico | AV Santa Ana 30 | Parque Industrial Lerma, Lerma, Mexico 52000
[+52 \(728\) 282-7070](tel:+527282827070)

CAUTION
HIGH INTENSITY ULTRAVIOLET LIGHT



**AVOID DIRECT EYE & SKIN EXPOSURE.
WEAR PROPER EYE & SKIN PROTECTION.
SEE MANUAL FOR SAFETY INSTRUCTIONS.**

RISK GROUP 3 - RISK OF EXPOSURE TO ULTRAVIOLET (UV) RADIATION!
FIXTURE EMITS HIGH INTENSITY WAVELENGTH OF ULTRAVIOLET LIGHT
WEAR PROPER EYE AND SKIN PROTECTION.
DO NOT OPERATE FIXTURE WITH DAMAGED/MISSING EXTERNAL COVER PROTECTIVE LENS.
DO NOT LOOK DIRECTLY INTO THE (UV) LIGHT AND/OR VIEW (UV) LIGHT DIRECTLY WITH OPTICAL INSTRUMENTS THAT MAY CONCENTRATE THE LIGHT/RADIATION OUTPUT.

AVOID PROLONGED PERIODS OF EXPOSURE.
AVOID WEARING WHITE COLOR CLOTHING AND/OR USING (UV) PAINTS ON SKIN.
AVOID DIRECT EYE AND/OR SKIN EXPOSURE AT DISTANCES SHORTER THAN 11 feet (3.3m).
INDIVIDUALS SUFFERING FROM A RANGE OF EYE CONDITIONS, SUNLIGHT EXPOSURE DISORDERS, OR INDIVIDUALS USING PHOTSENSITIVE MEDICATION, MAY RECEIVE DISCOMFORT IF EXPOSED TO THE ULTRAVIOLET (UV) LIGHT EMITTED FROM THIS FIXTURE.

DOCUMENT VERSION



Due to additional product features and/or enhancements, an updated version of this document may be available online. Please scan the QR Code with your mobile device or visit www.elationlighting.com for the latest revision/update of this manual, before installation and/or programming.

Date	Document Version	Software Version ≥	DMX Channel Modes	Notes
05/15/2020	1.0	1.01	2 / 4 / 6 Channels	Initial release

C O N T E N T S

General Information	4
Limited Warranty (USA Only)	5
Safety Guidelines	7
Maintenance Guidelines	9
Fixture Overview	10
Installation Instructions	11
System Menu	13
DMX Channel Functions & Values	14
Dimmer Modes	19
Specifications	20
Dimensional Drawings	21

GENERAL INFORMATION

INTRODUCTION

Please read and understand the instructions in this manual carefully and thoroughly before attempting to operate this device. These instructions contain important safety and use information.

This product is intended for use by professionally trained personnel only, and is not suitable for private use.

UNPACKING

Every device has been thoroughly tested and has been shipped in perfect operating condition. Carefully check the shipping carton for damage that may have occurred during shipping. If the carton is damaged, carefully inspect the device for damage, and be sure all accessories necessary to install and operate the device have arrived intact. In the event damage has been found or parts are missing, please contact our customer support team for further instructions. Please do not return this device to your dealer without first contacting customer support. Please do not discard the shipping carton in the trash. Please recycle whenever possible.

BOX CONTENTS

Mounting Bracket (x1)
Locking Power Cable (x1)

CUSTOMER SUPPORT

Contact MAGMATIC Service for any product related service and support needs. Also visit forums.elationlighting.com with questions, comments or suggestions.

ELATION SERVICE USA - Monday - Friday 8:00am to 4:30pm PST
323-582-3322 | Fax 323-832-9142 | support@elationlighting.com

ELATION SERVICE EUROPE - Monday - Friday 08:30 to 17:00 CET
+31 45 546 85 63 | Fax +31 45 546 85 96 | support@elationlighting.eu

REPLACEMENT PARTS please visit parts.elationlighting.com



I M P O R T A N T N O T I C E !

THERE ARE NO USER SERVICEABLE PARTS INSIDE THIS UNIT. DO NOT ATTEMPT ANY REPAIRS YOURSELF; DOING SO WILL VOID YOUR MANUFACTURER'S WARRANTY. DAMAGES RESULTING FROM MODIFICATIONS TO THIS FIXTURE AND/OR THE DISREGARD OF SAFETY INSTRUCTIONS AND GUIDELINES IN THIS MANUAL VOID THE MANUFACTURER'S WARRANTY AND ARE NOT SUBJECT TO ANY WARRANTY CLAIMS AND/OR REPAIRS.

LIMITED WARRANTY (USA ONLY)

- A. Magmatic Effects hereby warrants, to the original purchaser, Magmatic products to be free of manufacturing defects in material and workmanship for a period of two years (730 days) from the original date of purchase. This warranty excludes discharge lamps and all product accessories. This warranty shall be valid only if the product is purchased within the United States of America, including possessions and territories. It is the owner's responsibility to establish the date and place of purchase by acceptable evidence, at the time service is sought.
- B. For warranty service, send the product only to the Magmatic Effects factory. All shipping charges must be pre-paid. If the requested repairs or service (including parts replacement) are within the terms of this warranty, Magmatic Effects will pay return shipping charges only to a designated point within the United States. If any product is sent, it must be shipped in its original package and packaging material. No accessories should be shipped with the product. If any accessories are shipped with the product, Magmatic Effects shall have no liability what so ever for loss and/or or damage to any such accessories, nor for the safe return thereof.
- C. This warranty is void if the product serial number and/or labels are altered or removed; if the product is modified in any manner which Magmatic Effects concludes, after inspection, affects the reliability of the product; if the product has been repaired or serviced by anyone other than the Magmatic Effects factory unless prior written authorization was issued to purchaser by Magmatic Effects; if the product is damaged because not properly maintained as set forth in the product instructions, guidelines and/or user manual.
- D. This is not a service contract, and this warranty does not include any maintenance, cleaning or periodic check-up. During the periods as specified above, Magmatic Effects will replace defective parts at its expense, and will absorb all expenses for warranty service and repair labor by reason of defects in material or workmanship. The sole responsibility of Magmatic Effects under this warranty shall be limited to the repair of the product, or replacement thereof, including parts, at the sole discretion of Magmatic Effects. All products covered by this warranty were manufactured after January 1, 1990, and bear identifying marks to that effect.
- E. Magmatic Effects reserves the right to make changes in design and/or performance improvements upon its products without any obligation to include these changes in any products theretofore manufactured.
- F. No warranty, whether expressed or implied, is given or made with respect to any accessory supplied with the products described above. Except to the extent prohibited by applicable law, all implied warranties made by Magmatic Effects in connection with this product, including warranties of merchantability or fitness, are limited in duration to the warranty periods set forth above. And no warranties, whether expressed or implied, including warranties of merchantability or fitness, shall apply to this product after said periods have expired. The consumer's and/or dealer's sole remedy shall be such repair or replacement as is expressly provided above; and under no circumstances shall Magmatic Effects be liable for any loss and/or damage, direct and/or consequential, arising out of the use of, and/or the inability to use, this product.
- G. This warranty is the only written warranty applicable to Magmatic Effects products and supersedes all prior warranties and written descriptions of warranty terms and conditions heretofore published.

WARRANTY RETURNS (USA ONLY)

To obtain warranty service, a Return Material Authorization (RMA) number must first be obtained from MAGMATIC. It is the Customer's responsibility to provide product proof of purchase and serial number by acceptable evidence such as an invoice copy or an approved MAGMATIC Extended Warranty Certificate ("EWC") and any relevant maintenance records at the time warranty service is sought. Failure to provide acceptable evidence of product proof of purchase or EWC and any relevant maintenance records may be cause for denial of warranty service.

Products returned for warranty service must be sent without any accessories (i.e., power, data, and safety cables, brackets, clamps, rigging hardware, frost filters, gel frames, barn doors, lenses, hoses, nozzles, rack mounting hardware, etc.), must be boxed using the original and/or suitable packaging materials (double-box and foam) that provides ample product protection for ground and/or air freight transit, and must be shipped freight pre-paid and insured to MAGMATIC in Los Angeles, CA or a MAGMATIC Authorized Service Center. The RMA number must be clearly written on the outside of the return box, and a brief description of the problem and the RMA number must be documented and included in the box.

Products returned for warranty service without an RMA number clearly marked on the outside of the package will be refused and returned to the shipper at the Customer's expense. Products returned for warranty service, which are received damaged due to inadequate and/or improper packaging and/or due to damage caused by the shipping carrier, may incur additional repair charges before warranty service begins and/or may void this warranty. If any product accessories (included and/or optional) are shipped with the product, MAGMATIC and/or the MAGMATIC Authorized Service Center shall have no liability what so ever for the loss and/or damage to any such accessories, nor the safe return thereof. If the requested warranty repairs or service (including parts replacement) are within the terms of this warranty, MAGMATIC will pay return ground transportation shipping charges to a single designated point within the United States.

SAFETY GUIDELINES

This fixture is a sophisticated piece of electronic equipment. To guarantee smooth operation, it is important to follow all instructions and guidelines in this manual. Elation Professional is not responsible for injury and/or damages resulting from the misuse of this fixture due to the disregard of the information printed in this manual. Only qualified and/or certified personnel should perform installation of this fixture and only the original rigging parts included with this fixture should be used for installation. Any modifications to the fixture and/or the included mounting hardware will void the original manufacturer's warranty and increase the risk of damage and/or personal injury.



PROTECTION CLASS 1 - FIXTURE MUST BE PROPERLY GROUNDED

**THERE ARE NO USER SERVICEABLE PARTS INSIDE THIS UNIT.
DO NOT ATTEMPT ANY REPAIRS YOURSELF; DOING SO WILL VOID YOUR MANUFACTURER'S WARRANTY. DAMAGES RESULTING FROM MODIFICATIONS TO THIS FIXTURE AND/OR THE DISREGARD OF SAFETY INSTRUCTIONS AND GUIDELINES IN THIS MANUAL VOID THE MANUFACTURER'S WARRANTY AND ARE NOT SUBJECT TO ANY WARRANTY CLAIMS AND/OR REPAIRS.**



**DO NOT PLUG FIXTURE INTO A DIMMER PACK!
NEVER OPEN THIS FIXTURE WHILE IN USE!
UNPLUG POWER BEFORE SERVICING FIXTURE!
NEVER TOUCH FIXTURE DURING OPERATION, AS IT MAY BE HOT!
KEEP FLAMMABLE MATERIALS AWAY FROM FIXTURE!**



**NEVER LOOK DIRECTLY INTO THE LIGHT SOURCE!
RETINA INJURY RISK - MAY INDUCE BLINDNESS!
SENSITIVE PERSONS MAY SUFFER AN EPILEPTIC SHOCK!**

IP65

FIXTURE IS DUST TIGHT AND PROTECTED AGAINST WATER PROJECTED BY A NOZZLE FROM ANY DIRECTION

SAFETY GUIDELINES

DO NOT TOUCH the fixture housing during operation. Turn OFF the power and allow approximately 15 minutes for the fixture to cool down before serving.

DO NOT shake fixture, and avoid brute force when installing and/or operating fixture.

DO NOT operate fixture if the power cord is frayed, crimped, damaged and/or if any of the power cord connectors are damaged and do not insert into the fixture securely with ease. **NEVER** force a power cord connector into the fixture. If the power cord or any of its connectors are damaged, replace it immediately with a new one of similar power rating.

DO NOT block any air ventilation slots.

All fan and air inlets must remain clean and never blocked.

Allow approx. 6" (15cm) between fixture and other devices or a wall for proper cooling.

When installing fixture in a suspended environment, always use mounting hardware that is no less than M10 x 25 mm, and always install fixture with an appropriately rated safety cable.

Always disconnect fixture from main power source before performing any type of service and/or cleaning procedure. Only handle the power cord by the plug end, never pull out the plug by tugging the wire portion of the cord.

During the initial operation of this fixture, a light smoke or smell may emit from the interior of the fixture. This is a normal process and is caused by excess paint in the interior of the casing burning off from the heat associated with the lamp and will decrease gradually over time.

Consistent operational breaks will ensure fixture will function properly for many years.

ONLY use the original packaging and materials to transport the fixture for service.

CAUTION

**HIGH
INTENSITY
ULTRAVIOLET
LIGHT**



**AVOID DIRECT EYE & SKIN EXPOSURE.
WEAR PROPER EYE & SKIN PROTECTION.
SEE MANUAL FOR SAFETY INSTRUCTIONS.**

RISK GROUP 3 - RISK OF EXPOSURE TO ULTRAVIOLET (UV) RADIATION!

FIXTURE EMITS HIGH INTENSITY WAVELENGTH OF ULTRAVIOLET LIGHT

WEAR PROPER EYE AND SKIN PROTECTION.

DO NOT OPERATE FIXTURE WITH DAMAGED/MISSING EXTERNAL COVER PROTECTIVE LENS.

DO NOT LOOK DIRECTLY INTO THE (UV) LIGHT AND/OR VIEW (UV) LIGHT DIRECTLY WITH OPTICAL INSTRUMENTS THAT MAY CONCENTRATE THE LIGHT/RADIATION OUTPUT.

AVOID PROLONGED PERIODS OF EXPOSURE.

AVOID WEARING WHITE COLOR CLOTHING AND/OR USING (UV) PAINTS ON SKIN.

AVOID DIRECT EYE AND/OR SKIN EXPOSURE AT DISTANCES SHORTER THAN 11 feet (3.3m).

INDIVIDUALS SUFFERING FROM A RANGE OF EYE CONDITIONS, SUNLIGHT EXPOSURE DISORDERS, OR INDIVIDUALS USING PHOTSENSITIVE MEDICATION, MAY RECEIVE DISCOMFORT IF EXPOSED TO THE ULTRAVIOLET (UV) LIGHT EMITTED FROM THIS FIXTURE.

MAINTENANCE GUIDELINES



DISCONNECT POWER BEFORE PERFORMING ANY MAINTENANCE!

CLEANING

Frequent cleaning is recommended to ensure proper function, optimized light output, and an extended life. The frequency of cleaning depends on the environment in which the fixture operates: damp, smoky, or particularly dirty environments can cause greater accumulation of dirt on the fixture's optics. Clean the external lens surface periodically with a soft cloth to avoid dirt/debris accumulation.

NEVER use alcohol, solvents, or ammonia-based cleaners.

MAINTENANCE

Regular inspections are recommended to ensure proper function and extended life.

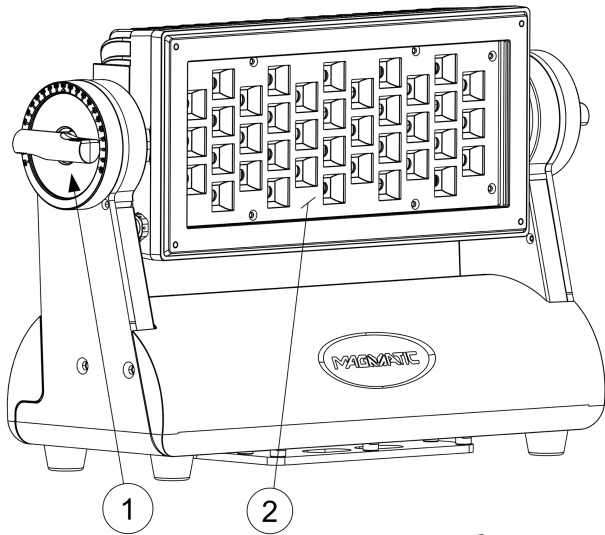
There are no user serviceable parts inside this fixture, please refer all other service issues to an authorized MAGMATIC service technician. Should you need any spare parts, please order genuine parts from your local MAGMATIC dealer.

Please refer to the following points during routine inspections:

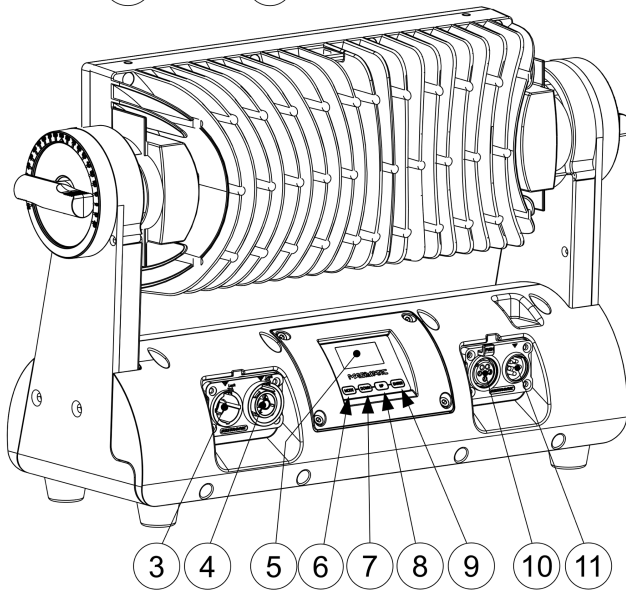
- A detailed electrical check by an approved electrical engineer every three months, to make sure the circuit contacts are in good condition in order to prevent overheating.
- Be sure all screws and fasteners are securely tightened at all times. Loose screws may fall out during normal operation, resulting in damage or injury as larger parts could fall.
- Check for any deformations on the housing, color lenses, rigging hardware, and rigging points (ceiling, suspension, trussing). Deformations in the housing could allow for dust or liquids to enter into the fixture. Damaged rigging points or unsecured rigging could cause the fixture to fall and seriously injure a person(s).
- Electric power supply cables must not show any damage, material fatigue, or sediments.

NEVER remove the ground prong from the power cable.

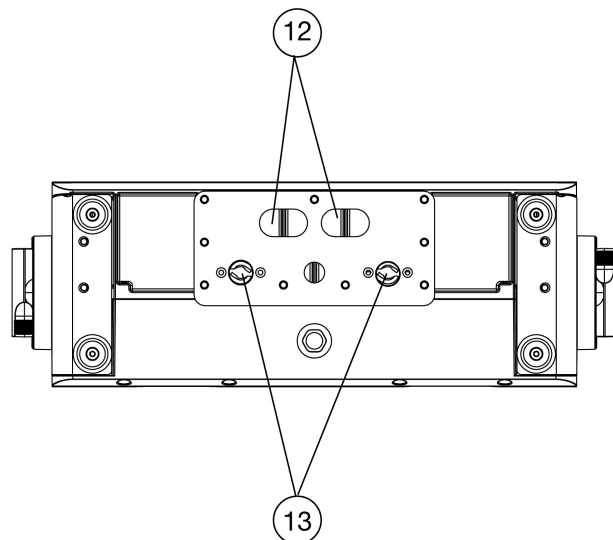
FIXTURE OVERVIEW



- 1. Tilt Lock
- 2. Lens



- 3. Power In
- 4. Power Out
- 5. Display Screen
- 6. Mode Button
- 7. Up Button
- 8. Down Button
- 9. Enter Button
- 10. DMX Out
- 11. DMX In



- 12. Safety Cable Rigging Points
- 13. Omega Bracket Mounts

INSTALLATION INSTRUCTIONS



FLAMMABLE MATERIAL WARNING

Keep fixture minimum 5.0 feet (1.5m) away from flammable materials and/or pyrotechnics.



ELECTRICAL CONNECTIONS

A qualified electrician should be used for all electrical connections and/or installations.



USE CAUTION WHEN POWER LINKING OTHER MODEL FIXTURES AS THE POWER CONSUMPTION OF OTHER MODEL FIXTURES MAY EXCEED THE MAX POWER OUTPUT ON THIS FIXTURE. CHECK SILK SCREEN FOR MAX AMPS.



DO NOT INSTALL THE FIXTURE IF YOU ARE NOT QUALIFIED TO DO SO!

Fixture **MUST** be installed following all local, national, and country commercial electrical and construction codes and regulations.

Before rigging/mounting a single fixture or multiple interconnected fixtures for custom matrix designs to any metal truss/structure or placing the fixture(s) on any surface, a professional equipment installer **MUST** be consulted to determine if the metal truss/structure or surface is properly certified to safely hold the combined weight of the fixture(s), clamps, cables, and accessories.

Ambient operating temperature range is from **14°F (-10°C) to 113°F (45°C)**.
Do not operate this fixture when ambient temperature falls outside this range.

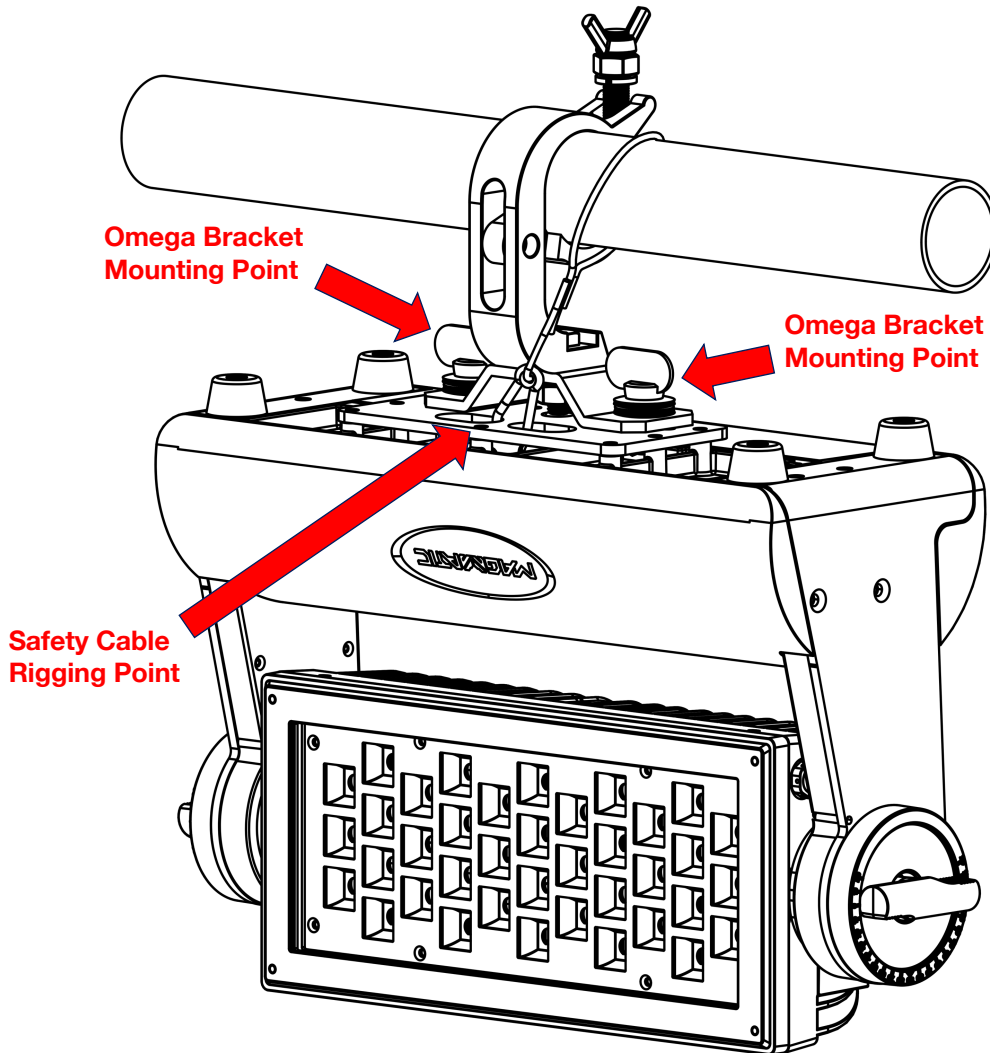
Fixture(s) should be installed in areas outside walking paths, seating areas, or away from areas where unauthorized personnel might reach the fixture by hand.

NEVER stand directly below the fixture(s) when rigging, removing, or servicing.
Overhead fixture installation must always be secured with a secondary safety attachment, such as an appropriately rated safety cable (not included) that meets all local, national, and country codes and regulations. Allow approximately 15 minutes for the fixture to cool down before servicing.

INSTALLATION INSTRUCTIONS

CLAMP INSTALLATION

This fixture features two (2) integrated mounting points for the attachment of an Omega bracket, as well as a safety cable rigging point, located on the underside of the fixture (see the illustration below). When mounting this fixture to truss, be sure to secure an appropriately rated clamp (not included) to the Omega bracket and attach a separate **SAFETY CABLE** of the appropriate rating to the safety cable rigging point.



SAFETY CABLE
ALWAYS ATTACH A SAFETY CABLE WHENEVER INSTALLING THIS FIXTURE IN A SUSPENDED ENVIRONMENT TO ENSURE THE FIXTURE WILL NOT FALL IF THE CLAMP FAILS.

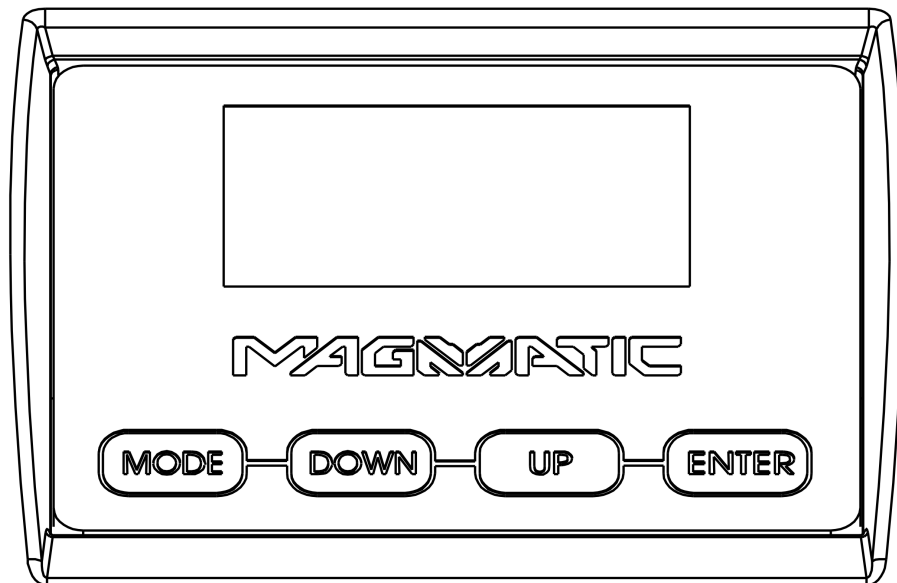
RIGGING

Overhead rigging requires extensive experience, including but not limited to: calculating working load limits, understanding the installation material being used, and periodic safety inspection of all installation material and the fixture. If you lack these qualifications, do not attempt the installation yourself. Improper installation can result in bodily injury.

SYSTEM MENU

The fixture includes an easy to navigate system menu. The control panel (see image below) located on the fixture provides access to the main system menu, where all necessary system adjustments can be made. During normal operation, pressing **MODE** button once will access the fixture's main menu. Once in the main menu you can navigate through the different functions and access the sub-menus with the **UP** and **DOWN** buttons. Once you reach a field that requires adjusting, press the **ENTER** button to activate that field and use the **UP** and **DOWN** buttons to adjust the field. Pressing the **ENTER** button once more will confirm your setting. You may exit the main menu at any time without making any adjustments by pressing the **MODE** button.

The display screen will automatically time out after 30 seconds of inactivity. To unlock the display screen, simply press and hold the **MODE** until the display screen unlocks.



SYSTEM MENU

Magmatic Prisma Wash 100 System Menu				
Default setting shown in bold				
Supports Software Versions: 1.01X				
ADDRESS	Address XXX	001 – 510		
USER MODE	Basic (2CH)			
	Standard (4 CH)			
	Extended (6 CH)			
FUNCTION	No DMX	Black / Hold		
	LCD Set	Display (30s screen time out)	On / Off	
		Key Lock	On / Off	
		Flash	On / Off	
		Invert (flip screen 180°)	Off / On	
	Temp C/F	C / F		
	Dim Mode	Standard		
		Stage		
		TV		
		Architec		
		Theatre		
		Stage2		
		0.0 s		
		0.1 s		
		0.2 s		
		0.3 s		
		0.4 s		
		0.5 s		
		0.6 s		
		0.7 s		
		0.8 s		
		0.9 s		
		1.0 s		
		1.5 s		
		2.0 s		
		3.0 s		
	4.0 s			
	5.0 s			
	6.0 s			
	7.0 s			
	8.0 s			
	9.0 s			
	10.0 s			
Disp Set	ADDR			
	Disp Ch			
	Slave			
Dim Curve	Linear			
	Square			
	Inv. Squa			
	S. Curve			

FUNCTION	Frequen	900 Hz	Default = 1200 Hz
		910 Hz	
		920 Hz	
		1200 Hz	
		1500 Hz	
		2500 Hz	
		4 kHz	
		5 kHz	
		6 kHz	
		10 kHz	
		15 kHz	
		20 kHz	
	25 kHz		
MasterSw	On / Off	On = Master, Off = Slave	
DFSE (Password = 050)	On / Off	Restore to factory default settings	
INFO	TimeInfo	Current	Current fixture run time (Hrs)
		Total	Fixture total run time (Hrs)
		Last	Run time since last clear event (Hrs)
		Clear (Password = 050/60)	On / Off
	Temp Info	LED Temp	XXX° C / XXX° F
	Model Inf	PRISMA WASH 100	
	Software	V1.01	
TEST	ManCtrl	Dimmer	000 – 255
		Strobe	000 – 255
	Calibrat (Password = 050)	UV	050 – 255

DMX CHANNEL FUNCTIONS AND VALUES

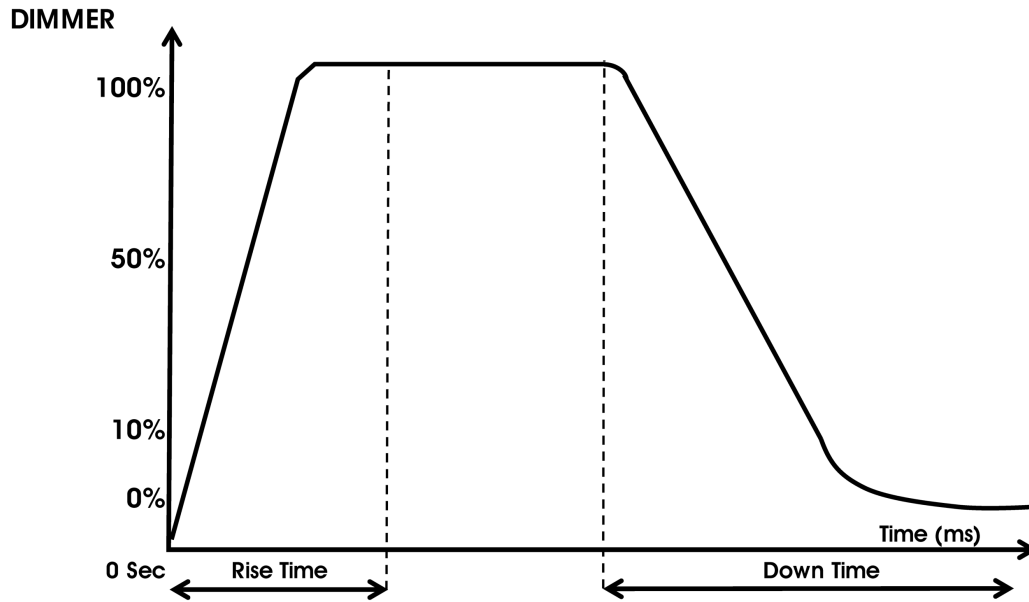
MAGMATIC PRISMA WASH 100™					
DMX Channel Values / Functions					
Supports Software Versions: ≥ 1.0.1					
Features subject to change without notice.					
Mode/Channel			Value	Function	Description
Basic (2 CH)	Standard (4 CH)	Extended (6 CH)			
	1	1		Strobe	
			000-031	Closed	
			032-063	Open	
			064-095	Strobe slow to fast	
			096-127	Open	
			128-159	Pulse slow to fast	
			160-191	Open	
			192-223	Random Strobe slow to fast	
			224-255	Open	
1	2	2	000-255	Dimmer	
			0-255	Master Dim	
2	3	3	000-255	Dimmer Fine	
			0-255	16bit	
				Dim Mode	
			000-020	Standard	
			021-040	Stage	
			041-060	TV	
			061-080	Architectural	
			081-100	Theatre	
			101-120	Stage2	
				Dimmer Delay Time	
			121	0.0s	
			122	0.1s	
			123	0.2s	
			124	0.3s	
			125	0.4s	
			126	0.5s	
			127	0.6s	
			128	0.7s	
			129	0.8s	
			130	0.9s	
			131	1.0s	
			132	1.5s	
			133	2.0s	
			134	3.0s	
			135	4.0s	
			136	5.0s	
			137	6.0s	
			138	7.0s	
			139	8.0s	
			140	9.0s	
			141	10s	
			142-255	Default	

Mode/Channel			Value	Function	Description
Basic (2 CH)	Standard (4 CH)	Extended (6 CH)			
		5		Dimmer Curves	
			000-020	Linear(default)	
			021-040	Square	
			041-060	Inverse Square	
			061-080	S-Curve	
			081-255	No Function	
		6		LED Refresh Rates	
			000-010	No function (Default LED Refresh Rate 1200 Hz)	
			011-011	900 Hz LED Refresh Rate	
			012-012	910 Hz LED Refresh Rate	
			013-013	920 Hz LED Refresh Rate	
			014-014	930 Hz LED Refresh Rate	
			015-015	940 Hz LED Refresh Rate	
			016-016	950 Hz LED Refresh Rate	
			017-017	960 Hz LED Refresh Rate	
			018-018	970 Hz LED Refresh Rate	
			019-019	980 Hz LED Refresh Rate	
			020-020	990 Hz LED Refresh Rate	
			021-021	1000 Hz LED Refresh Rate	
			022-022	1010 Hz LED Refresh Rate	
			023-023	1020 Hz LED Refresh Rate	
			024-024	1030 Hz LED Refresh Rate	
			025-025	1040 Hz LED Refresh Rate	
			026-026	1050 Hz LED Refresh Rate	
			027-027	1060 Hz LED Refresh Rate	
			028-028	1070 Hz LED Refresh Rate	
			029-029	1080 Hz LED Refresh Rate	
			030-030	1090 Hz LED Refresh Rate	
			031-031	1100 Hz LED Refresh Rate	
			032-032	1110 Hz LED Refresh Rate	
			033-033	1120 Hz LED Refresh Rate	
			034-034	1130 Hz LED Refresh Rate	
			035-035	1140 Hz LED Refresh Rate	
			036-036	1150 Hz LED Refresh Rate	
			037-037	1160 Hz LED Refresh Rate	
			038-038	1170 Hz LED Refresh Rate	
			039-039	1180 Hz LED Refresh Rate	
			040-040	1190 Hz LED Refresh Rate	
			041-041	1210 Hz LED Refresh Rate	
			042-042	1220 Hz LED Refresh Rate	
			043-043	1230 Hz LED Refresh Rate	
			044-044	1240 Hz LED Refresh Rate	
			045-045	1250 Hz LED Refresh Rate	
			046-046	1260 Hz LED Refresh Rate	
			047-047	1270 Hz LED Refresh Rate	
			048-048	1280 Hz LED Refresh Rate	
			049-049	1290 Hz LED Refresh Rate	
			050-050	1300 Hz LED Refresh Rate	
		051-051	1310 Hz LED Refresh Rate		
		052-052	1320 Hz LED Refresh Rate		
		053-053	1330 Hz LED Refresh Rate		
		054-054	1340 Hz LED Refresh Rate		
		055-055	1350 Hz LED Refresh Rate		
		056-056	1360 Hz LED Refresh Rate		
		057-057	1370 Hz LED Refresh Rate		
		058-058	1380 Hz LED Refresh Rate		
		059-059	1390 Hz LED Refresh Rate		
		060-060	1400 Hz LED Refresh Rate		

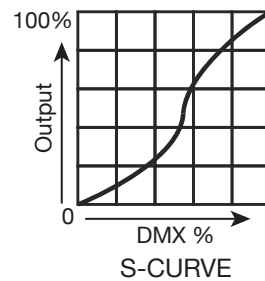
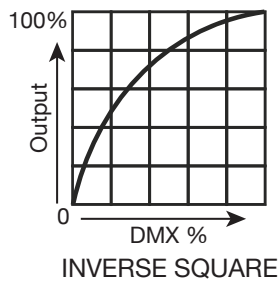
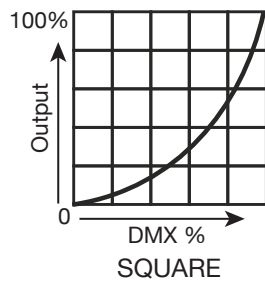
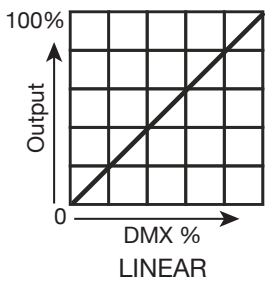
Mode/Channel			Value	Function	Description
Basic (2 CH)	Standard (4 CH)	Extended (6 CH)			
		6	061-061	1410 Hz LED Refresh Rate	
			062-062	1420 Hz LED Refresh Rate	
			063-063	1430 Hz LED Refresh Rate	
			064-064	1440 Hz LED Refresh Rate	
			065-065	1450 Hz LED Refresh Rate	
			066-066	1460 Hz LED Refresh Rate	
			067-067	1470 Hz LED Refresh Rate	
			068-068	1480 Hz LED Refresh Rate	
			069-069	1490 Hz LED Refresh Rate	
			070-070	1500 Hz LED Refresh Rate	
			071-071	2500 Hz LED Refresh Rate	
			072-072	4000 Hz LED Refresh Rate	
			073-073	5000 Hz LED Refresh Rate	
			074-074	6000 Hz LED Refresh Rate	
			075-075	10K Hz LED Refresh Rate	
			076-076	15K Hz LED Refresh Rate	
			077-077	20K Hz LED Refresh Rate	
			078-078	25K Hz LED Refresh Rate	
			079-255	No Function	

DIMMER MODES

Select desired DIMMER MODE (Standard, Stage, TV, Architectural, Theatre, Stage2).



Dimming Curve Ramp Effect	0 sec Fade Time		1 sec Fade Time	
	Rise Time (ms)	Down Time (ms)	Rise Time (ms)	Down Time (ms)
Standard (default)	0	0	0	0
Stage	780	1100	1540	1660
TV	1180	1520	1860	1940
Architectural	1380	1730	2040	2120
Theatre	1580	1940	2230	2280
Stage 2	0	1100	0	1660



SPECIFICATIONS

SOURCE

(38) 2W High Power UV Diode LEDs w/20,000 Hour Average LED Life*

*Test lab conditions. May vary depending on several factors including but not limited to:

Environmental Conditions, Power/Voltage, Usage Patterns (On-Off Cycling), Control, and Dimming.

PHOTOMETRIC DATA

90 Degree Wide Beam Angle

365nm True UV Peak Wavelength

EFFECTS

High Speed Electronic Strobe

Variable Dimming Curve Modes

CONSTRUCTION

Rugged IP65 Rated Aluminum Housing

Manual Adjustable Tilt Position

CONTROL

Multiple DMX Channel Modes

Onboard 4 Button Touch Control Panel

DMX-512 and RDM Protocol Support

CONNECTIONS

Locking 5pin XLR Connector In/Out

IP65 Locking Power Connector In

With Wired Digital Communication Network

SIZE / WEIGHT

Length: 17.2" (437.9mm)

Width: 5.8" (148.4mm)

Vertical Height: 11.5" (292.2mm)

Weight: 18.5 lbs. (8.4 kg)

ELECTRICAL

AC100-240V 50-60Hz

T2A/250V

83W Max Power Consumption

THERMAL

Ambient Temperature (Ta max) 104°F (40°C)

Ambient operating temperature range 14°F (-10°C) to 113°F (45°C).

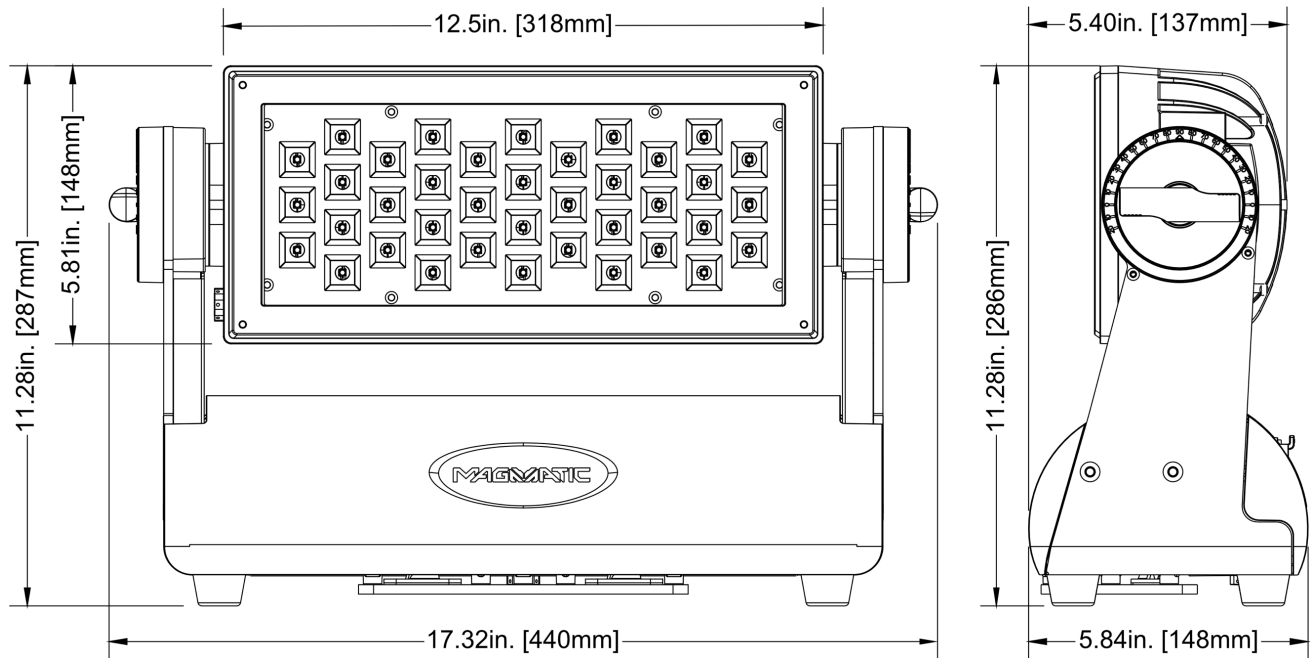
Air Cooled

APPROVALS / RATINGS

CE | cETLus (pending) | IP65

Specifications and documentation subject to change without notice.

DIMENSIONAL DRAWINGS



Drawings not to scale.

FCC Compliance Statement

This device complies with Part 15 of the FCC Rules. Operation is subject to the following two conditions: (1) this device may not cause harmful interference, and (2) this device must accept any interference received, including interference that may cause undesired operation.

FCC Warning

NOTE: This equipment has been tested and found to comply with the limits for a Class A digital device, pursuant to part 15 of the FCC Rules. These limits are designed to provide reasonable protection against harmful interference when the equipment is operated in a commercial environment. This equipment generates, uses, and can radiate radio frequency energy and, if not installed and used in accordance with the instruction manual, may cause harmful interference to radio communications. Operation of this equipment in a residential area is likely to cause harmful interference in which case the user will be required to correct the interference at his own expense.

ORDERING:

SKU#: PSW300
EU#: 1237000237
UPC#: 810008261040

OPTIONAL ACCESSORIES:

PRISMA WASH BLACK GLASS: PSG800

FCC STATEMENT

This device complies with Part 15 of the FCC Rules. Operation is subject to the following two conditions: (1) this device may not cause harmful interference, and (2) this device must accept any interference received, including interference that may cause undesired operation.

FCC RADIO FREQUENCY INTERFERENCE WARNINGS & INSTRUCTIONS

This product has been tested and found to comply with the limits as per Part 15 of the FCC Rules. These limits are designed to provide reasonable protection against harmful interference in a residential installation. This device uses and can radiate radio frequency energy and, if not installed and used in accordance with the included instructions, may cause harmful interference to radio communications. However, there is no guarantee that interference will not occur in a particular installation. If this device does cause harmful interference to radio or television reception, which can be determined by turning the device off and on, the user is encouraged to try to correct the interference by one or more of the following methods:

- Reorient or relocate the device.
- Increase the separation between the device and the receiver.
- Connect the device to an electrical outlet on a circuit different from which the radio receiver is connected.
- Consult the dealer or an experienced radio/TV technician for help.



